

9336LAX÷9340AX

9346LAX÷9350AX

03



	Aluminium
	2500 mm
	Stainless Steel
	0,5÷14 kg

ATEX COMPLIANT
ATmosphères EXplosibles

- II 2G Ex h IIC T6 Gb (9336LAX/9336AX)
- II 2G Ex h IIB T6 Gb (9337AX÷9339AX)
- II 2G Ex h IIA T6 Gb (9340AX)

04

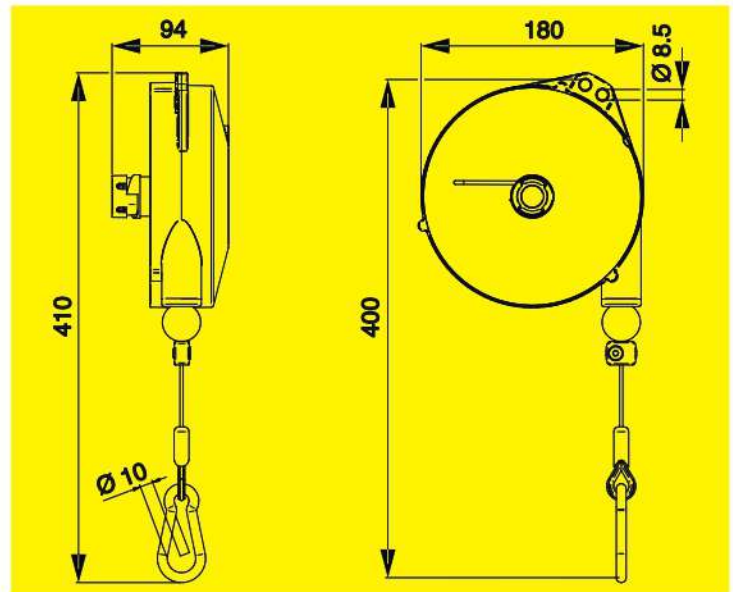
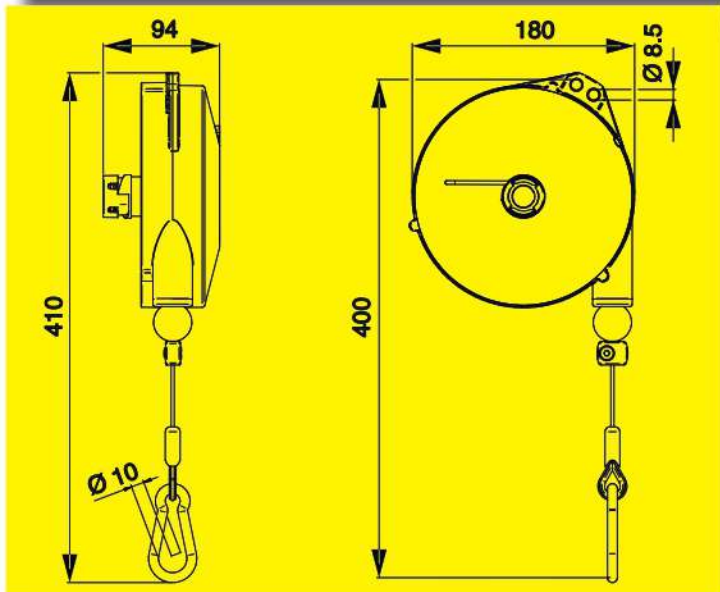
STOP



	Aluminium
	2500 mm
	Stainless Steel
	0,5÷14 kg

ATEX COMPLIANT
ATmosphères EXplosibles

- II 2G Ex h IIC T6 Gb (9346LAX/9346AX)
- II 2G Ex h IIB T6 Gb (9347AX÷9349AX)
- II 2G Ex h IIA T6 Gb (9350AX)



Item	9336LAX	9336AX	9337AX	9338AX	9339AX	9340AX
	0,5÷2	2÷4	4÷6	6÷8	8÷10	10÷14
	3,14	3,14	3,30	3,36	3,43	3,58

Item	9346LAX	9346AX	9347AX	9348AX	9349AX	9350AX
	0,5÷2	2÷4	4÷6	6÷8	8÷10	10÷14
	3,14	3,14	3,32	3,38	3,48	3,62