

# TECNA<sup>®</sup>

Resistance Welding Systems & Balancers

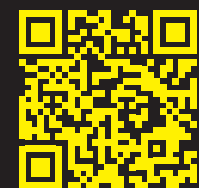


## General Catalogue ESD Balancers

CAPACITY 0,4 ÷ 100 kg



**ESD**  
PROTECTION



[www.tecna.net](http://www.tecna.net)

EN

ESD PROTECTED AREA



TECNA S.P.A. - VIA MEUCCI, 27 - CASTEL SAN PIETRO TERME

TECNA produces and distributes a complete range of BALANCERS having a capacity from 0.2 kg to 180 kg and an available standard wire stroke up to 3 meters. The TECNA BALANCER is an essential device to eliminate the operator's labour, to increase productivity by cutting down tools handling time and to improve work quality. Furthermore, the use of the TECNA BALANCERS reduces hoses and cables wear and avoids eventual damages to both people and tools.

The application of the TECNA BALANCER is absolutely versatile: it may be used for bench or assembly line works and it may be suitably applied to small tools, industrial suspended welders and multiple screw drivers. The ergonomic structure of the TECNA balancers has been designed to facilitate each application of use, ranging from movement easiness to body robustness, from simple use to lifting power.

TECNA, as a primary manufacturer, realizes special as well as customized versions upon demand.



TECNA S.P.A. - VIA GR



Fabbricato in Italia





MECO, 25/27 - CASTEL SAN PIETRO TERME



**ESD**  
PROTECTION



Certified according to  
**ESD-AKADEMIE®**  
ANSI/ESD S20.20  
IEC 61340-5-1

**CE EAC UK CA**

**DIN**  
15112

THE PERFECT COMPANION FOR YOUR PCB  
THE PERFECT MATCH FOR YOUR TOOLS



TECNA'S COMMITMENT WITH BALANCERS IS CONTINUOUS AND EVERGROWING  
ANNOUNCING NEW PRODUCT LINE DEVELOPED FOR ELECTRONICS ASSEMBLY AND ESD-PROTECTION APPLICATIONS



### EPA - "ESD-PROTECTED AREA"

A special protection zone within the production  
An ESD-protected zone (EPA) is an area in which electrostatic charges, which are often caused by static electricity, are prevented by using appropriate ESD-products.  
This serves to protect against electrostatic discharge (ESD), which can damage or destroy sensitive electronic components.  
Electrostatic protected areas, single ESD-workstations with the tools and equipment ESD-Safe are required in nearly the entire electronics- and semiconductor production.

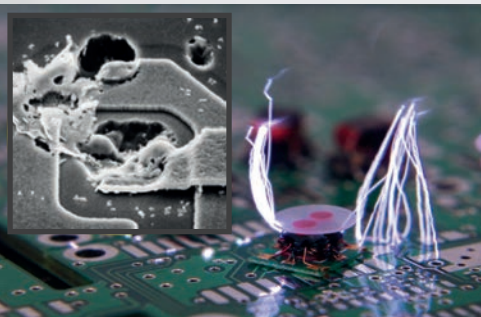
### ARE THE SPRING BALANCERS YOU USE ESD-SAFE?

TECNA OFFERS A COMPLETE ESD-CERTIFIED PRODUCT LINE FROM RETRACTORS TO ZERO GRAVITY BALANCERS, UP TO 100KG LOAD CAPACITY



### ESD DAMAGE IS MOSTLY INVISIBLE TO THE NAKED EYE

Each year, an estimated \$5 billion in losses from ESD damage occur in the electronics industry alone. Recurring ESD damage can be catastrophic from a business perspective. Businesses wind up spending more to replace equipment and component than they would on basic ESD preventative products.



# ATEX RETRACTORS



**Use your instrument with minimum effort  
When released, the load will return to its rest position**



# 9310ES÷9313ES

# 9320ES÷9323ES

## 01



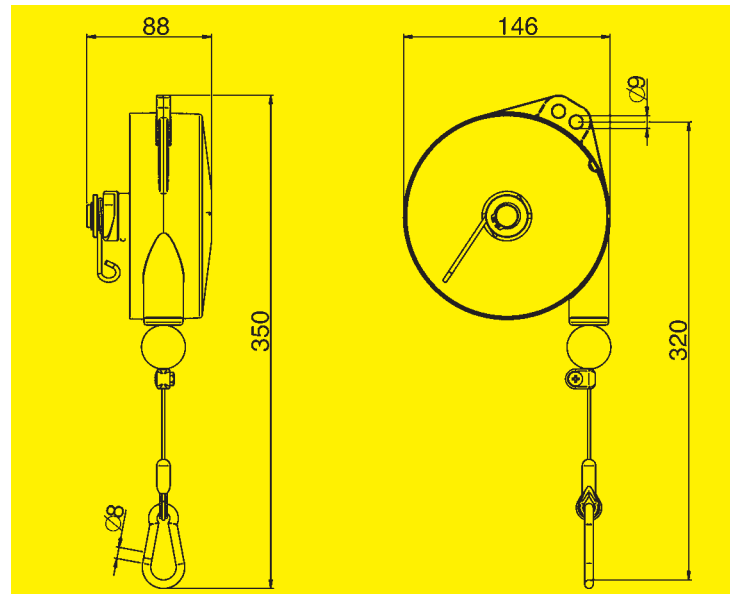
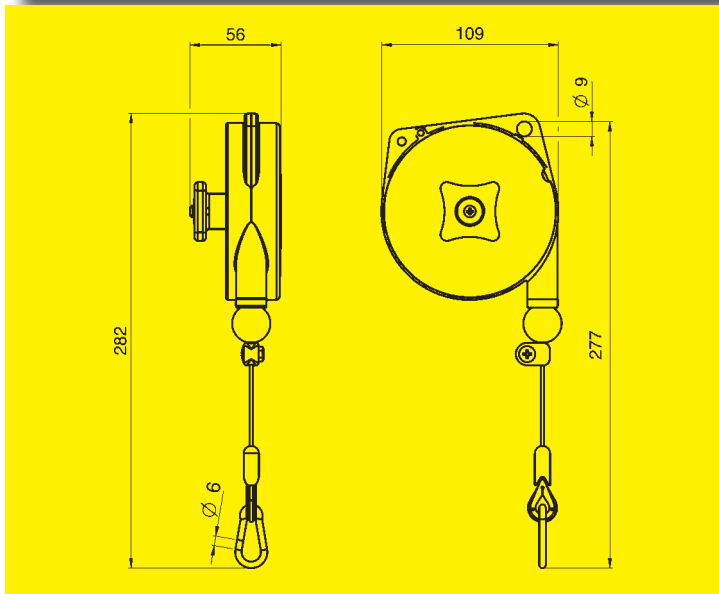
	Aluminium
	1600 mm
	Stainless Steel
	0,2÷3 kg



## 02



	Aluminium
	2000 mm
	Stainless Steel
	1÷8 kg



Item	9310ES	9311ES	9312ES	9313ES
	0,2÷0,5	0,4÷1	1÷2	2÷3
	0,55	0,57	0,60	0,74

Item	9320ES	9321ES	9322ES	9323ES
	1÷2,5	2÷4	4÷6	6÷8
	1,67	1,90	1,98	2,28

# 9336LES÷9340ES

# 9346LES÷9350ES

## 03



	Aluminium
	2500 mm
	Stainless Steel
	0,5÷14 kg



## 04

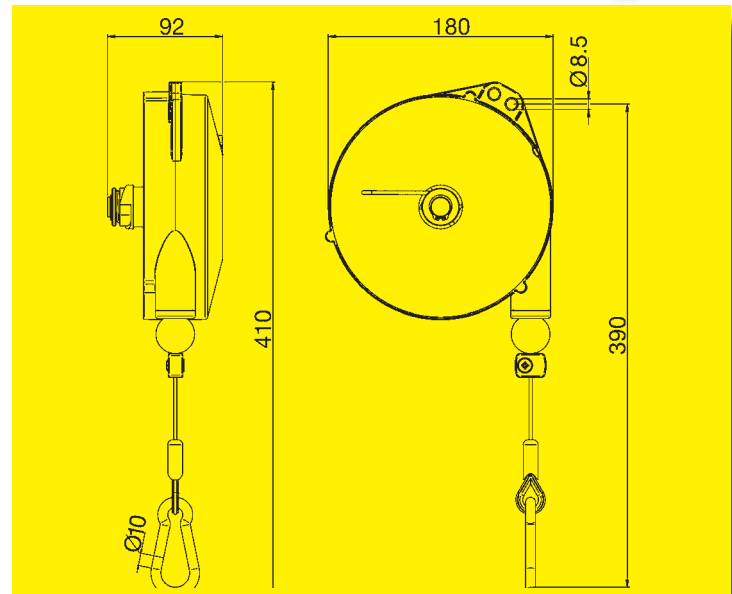
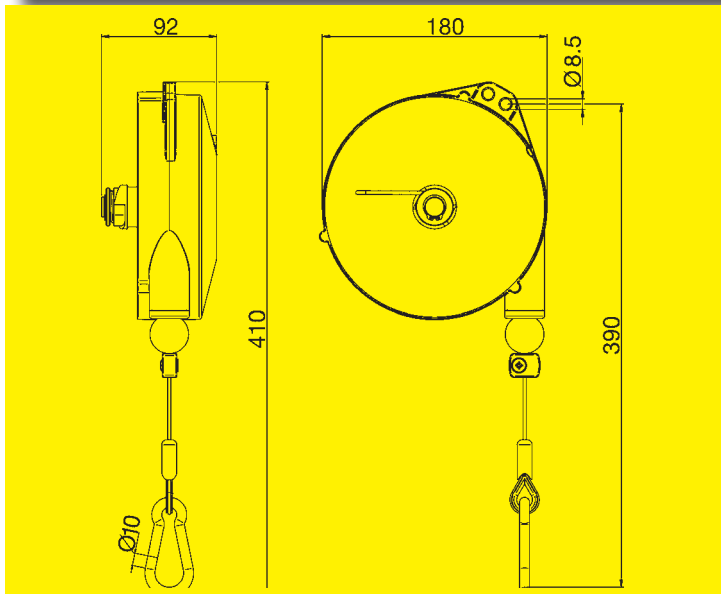
**STOP**



	Aluminium
	2500 mm
	Stainless Steel
	0,5÷14 kg



These balancers are equipped with a device enabling to stop the stroke by carrying out a simple operation on the load.



Item	9336LES	9336ES	9337ES	9338ES	9339ES	9340ES
	0,5÷2	2÷4	4÷6	6÷8	8÷10	10÷14
	3,14	3,14	3,30	3,36	3,43	3,58

Item	9346LES	9346ES	9347ES	9348ES	9349ES	9350ES
	0,5÷2	2÷4	4÷6	6÷8	8÷10	10÷14
	3,14	3,14	3,32	3,38	3,48	3,62

# BALANCERS TECHNICAL FEATURES



	9310ES÷9313ES	9320ES÷9323ES	9336LES÷9340ES	9346LES÷9350ES	
kg	0.2÷3	1÷8	0,5÷14	0,5÷14	Capacity
mm	1600	2000	2500	2500	Stroke
●	●	●	●	●	Rugged construction, cast aluminium body
●	●	●	●	●	Stainless steel rope
●	●	●	●	●	Adjustable capacity
●	●	●	●	●	Safety suspension
●	●	●	●	●	Safety device against load dropping due to the spring breakage (capacity >3kg)
●	●	●	●	●	Adjustable stroke limiting device
●	●	●	●	●	Cable guide in antifriction material
●	●	●	●	●	Inert spring drum assembly
●	●	●	●	●	Polyamides thimble

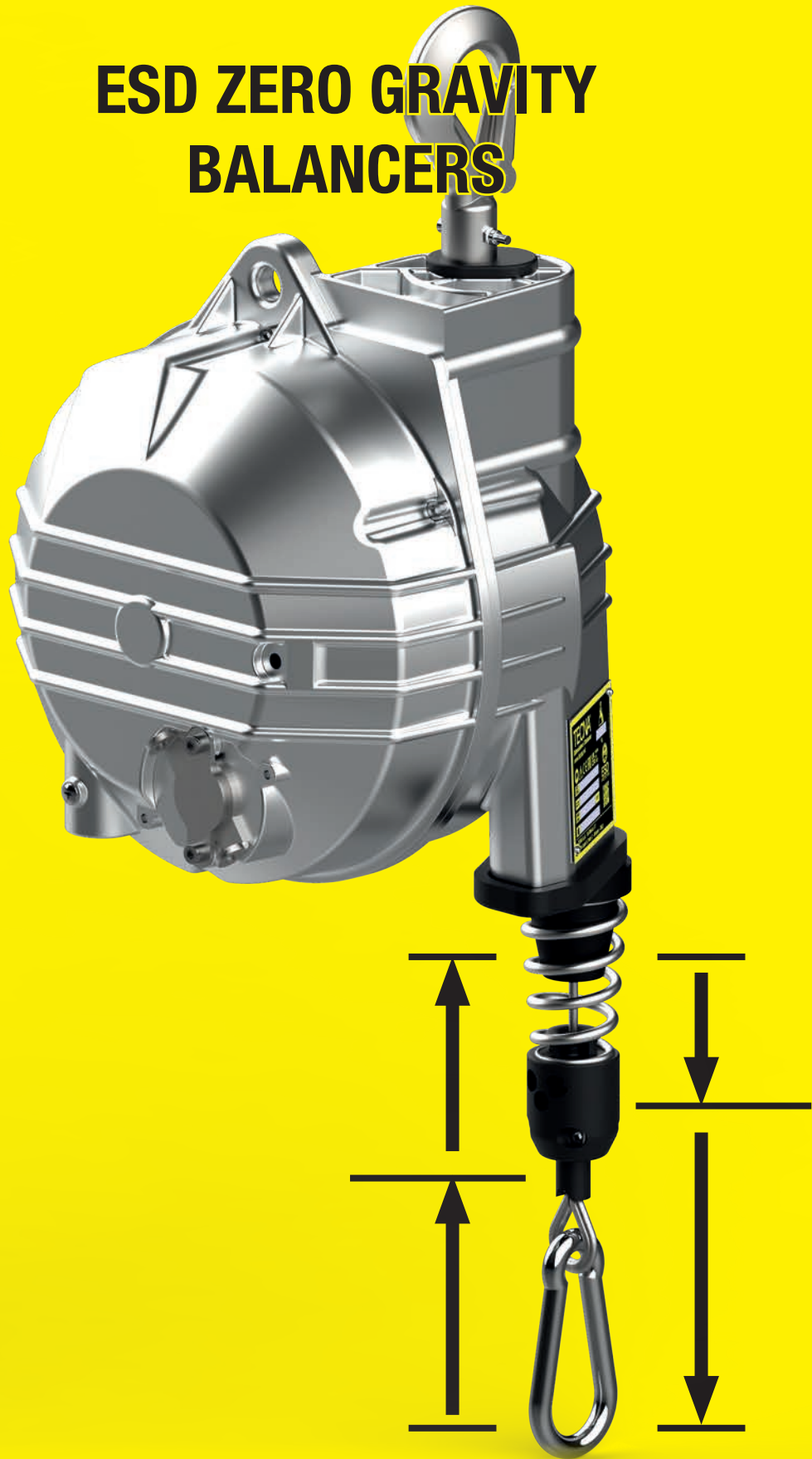
# PACKAGING FEATURES



	9310ES	9311ES	9312ES	9313ES	9320ES	9321ES	9322ES	9323ES	9336LES	9336ES	9337ES
kg	0.50	0.60	0.60	0.70	1,80	2,1	2,1	2.5	3.40	3.40	3.60
lb	1.10	1.32	1.32	1.54	3.97	4.63	4.63	5.51	7.50	7.50	7.94
mm	204x112x62	204x112x62	204x112x62	204x112x62	254x149x96	254x149x96	254x149x96	254x149x96	304x186x100	304x186x100	304x186x100
inch	6.3x4.7x2.4	6.3x4.7x2.4	6.3x4.7x2.4	6.3x4.7x2.4	10x5.87x3.78	10x5.87x3.78	10x5.87x3.78	10x5.87x3.78	11.97x7.32x3.94	11.97x7.32x3.94	11.97x7.32x3.94
●	2/11	2/11	2/11	2/11	3/12	3/12	3/12	3/12	4/13	4/13	4/13
	9338ES	9339ES	9340ES	9346LES	9346ES	9347ES	9348ES	9349ES	9350ES		
kg	3.70	3.70	3.80	3.40	3.40	3.60	3.70	3.80	3.90		
lb	8.16	8.16	8.38	7.50	7.50	7.94	8.16	8.38	8.60		
mm	304x186x100	304x186x100	304x186x100	304x186x100	304x186x100	304x186x100	304x186x100	304x186x100	304x186x100		
inch	11.97x7.32x3.94	11.97x7.32x3.94	11.97x7.32x3.94	11.97x7.32x3.94	11.97x7.32x3.94	11.97x7.32x3.94	11.97x7.32x3.94	11.97x7.32x3.94	11.97x7.32x3.94		
●	4/13	4/13	4/13	5/14	5/14	5/14	5/14	5/14	5/14		



# ESD ZERO GRAVITY BALANCERS



**Use your instrument without feeling its weight  
The load maintains the position where you leave it**



## 05



	Aluminium
	2000 mm
	Stainless Steel
	4÷25 kg

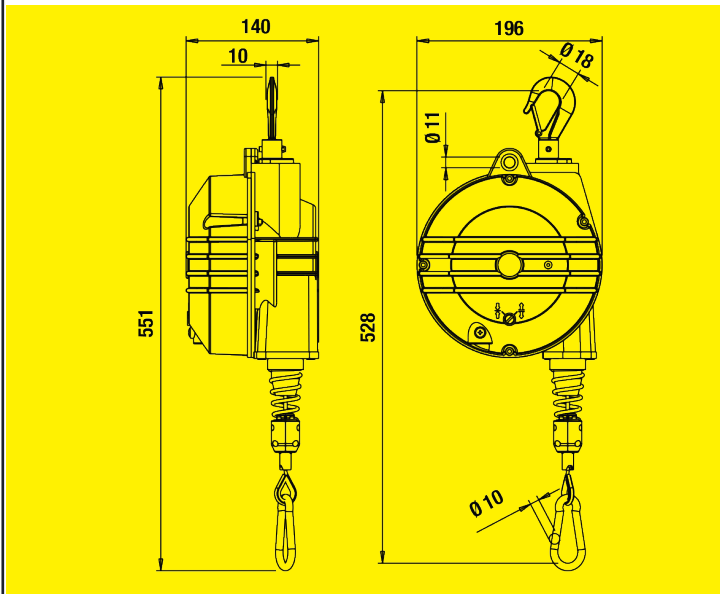
### Option RC (7270000004)

Conductive rotating hook group.

### \*Option F

The balancer is equipped with a friction/brake which controls the rotation speed of the drum.

\*This option is feasible when placing a new order while it is not possible to assemble this device on balancers already installed.



\*Option F



Item	9354ES	9355ES	9356ES	9357ES	9358ES	9359ES
**	4÷7	7÷10	10÷14	14÷18	18÷22	22÷25
	4,94	5,30	5,67	6,26	5,89	6,53

06

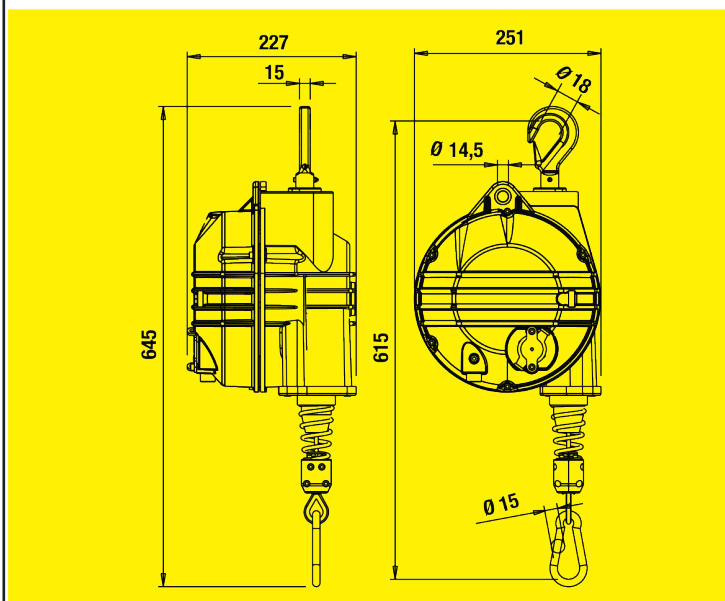


	Aluminium	
	2100 mm	9502ES ÷ 9509ES
	2700 mm	9520ES ÷ 9525ES
	Stainless Steel	
	12 ÷ 100 kg	

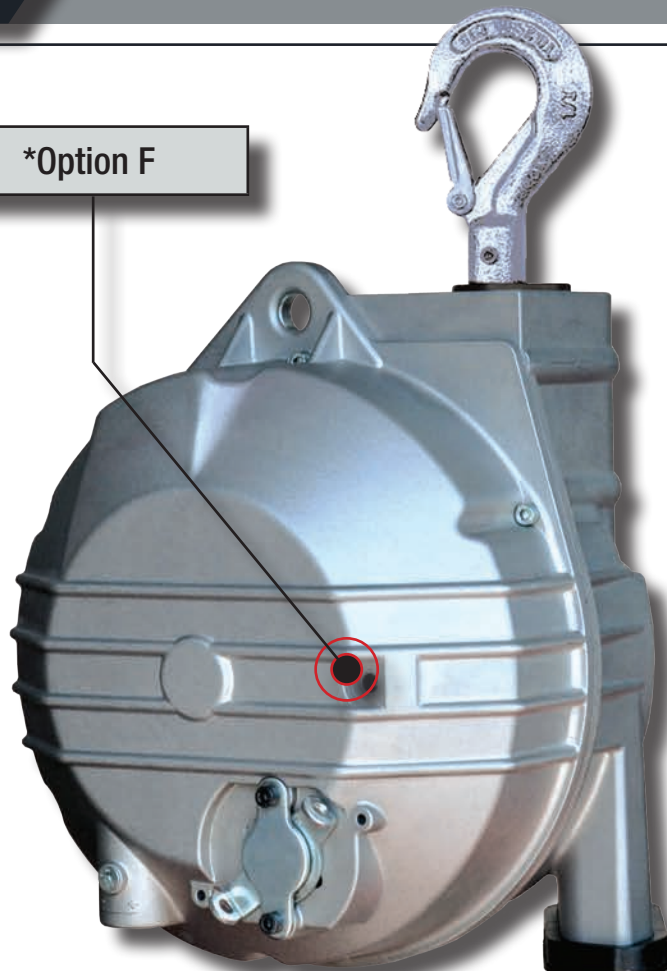
**\*Option F**

The balancer is equipped with a friction/brake which controls the rotation speed of the drum.

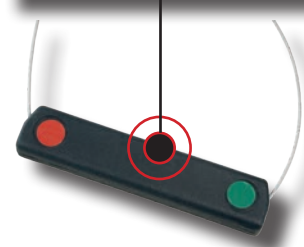
\*This option is feasible when placing a new order while it is not possible to assemble this device on balancers already installed.



\*Option F



Option BC



Option RC



**Option RC (7270000004)**  
Conductive rotating hook group.

**Option BC (7190000004)**  
Locking-unlocking device.

Item	9502ES	9503ES	9504ES	9505ES	9506ES	9507ES	9508ES	9509ES	9520ES	9521ES	9522ES	9523ES	9524ES	9525ES
**	20 ÷ 30	30 ÷ 40	40 ÷ 50	50 ÷ 60	60 ÷ 70	70 ÷ 80	80 ÷ 90	90 ÷ 100	12 ÷ 20	20 ÷ 30	30 ÷ 40	40 ÷ 50	50 ÷ 60	60 ÷ 70
	12,60	15,20	15,50	16,70	15,50	17,70	16,20	16,80	12,80	12,60	15,80	15,40	16,60	15,70

# BALANCERS TECHNICAL FEATURES



	9354ES÷9359ES	9502ES÷9509ES	9520ES÷9525ES	
kg	4÷25	20÷100	12÷70	Capacity
mm	2000	2100	2700	Stroke
	●	●	●	Ribbed and sealed construction in aluminium alloy
	●	●	●	Stainless steel rope
	●	●	●	Adjustable capacity by means of a worm screw
	●	●	●	Safety suspension
	●	●	●	Safety device against load dropping due to the spring breakage (capacity >3kg)
	●	●	●	Upper rotary suspension with safety hook
	●	●	●	Locking device to block the load at any height
	●	●	●	Adjustable stroke limiting device
	●	●	●	Taper drum rotating on ball bearings
	●	●	●	Cable guide in antifriction material
	●	●	●	Rotary upper hook with ball bearing
	●	●	●	Inert spring drum assembly

## ON REQUEST OPTIONS F & ACCESSORIES BC - RC

F	* ●	* ●	* ●	F: Brake device
BC		●	●	7190000004: Locking-unlocking device.
RC	●	●	●	7270000004: Rotary hook

\*This option is feasible when placing a new order while it is not possible to assemble this device on balancers already installed.

# PACKAGING FEATURES



	9354ES	9355ES	9356ES	9357ES	9358ES	9359ES	9502ES	9503ES	9504ES	9505ES	9506ES
kg	6,00	6,40	6,80	7,40	7,00	7,60	14,40	17,00	17,30	18,50	17,30
lb	13,23	14,11	14,99	16,31	15,43	16,76	31,75	37,48	31,14	40,79	38,14
mm	525x206x175	525x206x175	525x206x175	525x206x175	525x206x175	525x206x175	590x265x260	590x265x260	590x265x260	590x265x260	590x265x260
inch	16,5x8,1x6,5	16,5x8,1x6,5	16,5x8,1x6,5	16,5x8,1x6,5	16,5x8,1x6,5	16,5x8,1x6,5	17,9x10,6x11	17,9x10,6x11	17,9x10,6x11	17,9x10,6x11	17,9x10,6x11
●	05	05	05	05	05	05	06	06	06	06	06
	9507ES	9508ES	9509ES	9520ES	9521ES	9522ES	9523ES	9524ES	9525ES		
kg	19,50	18,00	18,60	14,60	14,40	17,60	17,20	18,40	17,50		
lb	43,00	39,68	41,01	32,19	31,75	38,80	38,00	40,57	38,58		
mm	590x265x260	590x265x260	590x265x260	590x265x260	590x265x260	590x265x260	590x265x260	590x265x260	590x265x260		
inch	17,9x10,6x11	17,9x10,6x11	17,9x10,6x11	17,9x10,6x11	17,9x10,6x11	17,9x10,6x11	17,9x10,6x11	17,9x10,6x11	17,9x10,6x11		
●	06	06	06	06	06	06	06	06	06		

## YOU ARE IN GOOD HANDS



**TECNA BALANCERS** are manufactured in Italy, following the highest quality standards, built to last and to help you work with best performance and ergonomics. We make your life better. **TECNA BALANCERS** are essential in eliminating operator fatigue and injuries, increasing productivity by reducing cycle times and improving the quality of the production.

**TECNA BALANCERS** safeguard your tools, hoses and cables thus increasing their lifetime and your productivity.

TECNA is a leading worldwide manufacturer. Products, spare parts and assistance can be found easily anywhere and everywhere. Just contact us if you don't know a local dealer and we'll support you and guide you to the closest Tecna distributor.

Some numbers game:

Almost 6.000.000 **TECNA BALANCERS** manufactured. TECNA sells on average more than 160.000 BALANCERS per year, with more than 300 different models and possibility of further customisation. One of the most complete range of products available on the market, with load range up to 180kg (400lbs) and rope stroke up to 4,5m (14ft).

More than 2.000 hours of R&D per year are dedicated to product development for balancers. 4 registered patents. 3 new patents pending.

You are in good hands.

AND there's a lot more to TECNA than just a large structure and big numbers. There's competence, there's professionalism, there's thought, there's flexibility. There's PEOPLE. We're here to listen and to provide solutions wherever possible. We're fast, we're flexible. We can handle urgency and we can handle special requests.

**TECNA BALANCERS** are SAFEST.

All balancers are manufactured in conformity with the DIN 15112 Directive.

All TECNA PRODUCTS undergo thorough testing to ensure maximum safety and performance in time. Breaking load is guaranteed minimum 5 times the declared maximum load for all sensible parts.

Cables are bare, in order to ensure quick visual inspection. TECNA offers cable choice: Stainless steel, Dyneema® or Polypropylene.

Different materials on cables allow **TECNA BALANCERS** to be used in many different situations, for example where a steel cable might scratch delicate objects.

Innovation and improvement are constant and continuous.

**TECNA BALANCERS** behave excellently and prove their rugged sturdiness also in extreme working conditions, such as heavy duty applications, meat processing industry, outdoor conditions, as well as extremely repeating high-rate uses on assembly lines tool suspension, where long life means higher production.

TECNA was the first to develop a dedicated line with ATEX certification, suitable for use in areas with a potentially explosive atmosphere composed of flammable gases or combustible materials.

**TECNA BALANCERS** are good and tough and allow you to do a lot more than just suspend loads or tools. Just use them and you will see, the only limit is your creativity. And when you don't find an answer, just contact us and we'll listen. **TECNA BALANCERS** are just so good that you can forget about them... but don't forget to use them!

# EXTENSIONS CABLE FOR BALANCERS

mm / inch

## EXTENSIONS CABLES (carabiner 40mm-1.57")

### 9310ES-9313ES

(L) MM	CODE (Stainless steel rope Ø 2-0.08")	(L) inch
500	7260000149	19.68
1000	7260000150	39.37
2500	7260000151	98.42
3000	7260000152	118.11
5000	7260000153	196.85

## EXTENSIONS CABLES (carabiner 60mm-2.36")

### 9320ES-9323ES

(L) MM	CODE (Stainless steel rope Ø 2-0.08")	(L) inch
500	7260000164	19.68
1000	7260000165	39.37
2500	7260000166	98.42
3000	7260000167	118.11
5000	7260000168	196.85

## EXTENSIONS CABLES (carabiner 80mm-3.14")

### 9336LAX-9350AX

(L) MM	CODE (Stainless steel rope Ø 2,5-0.10")	(L) inch
500	7260000159	19.68
1000	7260000160	39.37
2500	7260000161	98.42
3000	7260000162	118.11
5000	7260000163	196.85

## EXTENSIONS CABLES (carabiner 80mm-3.14")

### 9354AX-9359AX

(L) MM	CODE (Stainless steel rope Ø 3-0.12")	(L) inch
500	72967/0,5	19.68
1000	72967/1	39.37
2500	72967/2,5	98.42
3000	72967/3	118.11
5000	72967/5	196.85

## EXTENSIONS CABLES (carabiner 100mm-3.94")

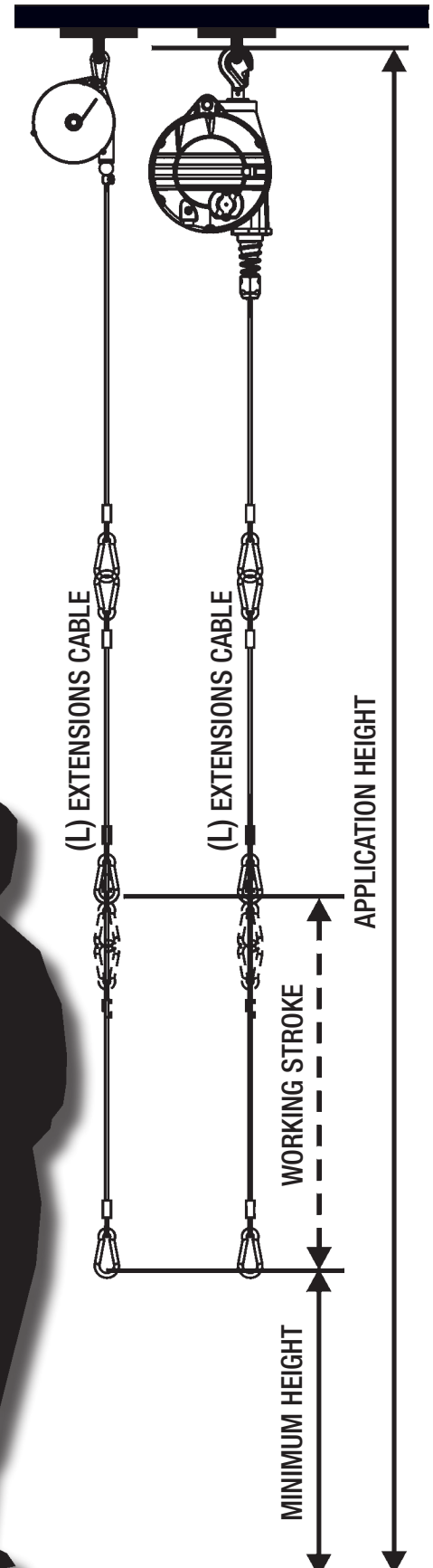
### 9520ES-9525ES

(L) MM	CODE (Stainless steel rope Ø 4-0.16")	(L) inch
500	72968/0,5	19.68
1000	72968/1	39.37
2500	72968/2,5	98.42
3000	72968/3	118.11
5000	72968/5	196.85

## EXTENSIONS CABLES (carabiner 100mm-3.94")

### 9502ES-9509ES

(L) MM	CODE (Stainless steel rope Ø 5-0.20")	(L) inch
500	72969/0,5	19.68
1000	72969/1	39.37
2500	72969/2,5	98.42
3000	72969/3	118.11
5000	72969/5	196.85



# ITEM

kg / lb - mm / inch

ITEM	G	NY	AX	ESD	IL	RL	Kg		lb		mm		inch		Kg		lb	
9300							0,2÷0,5	0,44÷1,1	1600	62,99	0,43	0,95						
9301							0,4÷1	0,88÷2,20	1600	62,99	0,46	1,01						
9302							1÷2	2,20÷4,41	1600	62,99	0,49	1,08						
9303							2÷3	4,41÷6,61	1600	62,99	0,64	1,41						
9310							0,2÷0,5	0,44÷1,1	1600	62,99	0,55	1,21						
9311							0,4÷1	0,88÷2,20	1600	62,99	0,57	1,26						
9312							1÷2	2,20÷4,41	1600	62,99	0,60	1,32						
9313							2÷3	4,41÷6,61	1600	62,99	0,74	1,63						
9320							1÷2,5	2,20÷5,51	2000	78,74	1,67	3,68						
9321							2÷4	4,41÷8,82	2000	78,74	1,90	4,19						
9322							4÷6	8,82÷13,23	2000	78,74	1,98	4,37						
9323							6÷8	13,23÷17,63	2000	78,74	2,28	5,03						
9336L							0,5÷2	1,1÷4,41	2500	98,43	3,14	6,92						
9336							2÷4	4,41÷8,82	2500	98,43	3,14	6,92						
9337							4÷6	8,82÷13,23	2500	98,43	3,30	7,28						
9338							6÷8	13,23÷17,63	2500	98,43	3,36	7,41						
9339							8÷10	17,63÷22,05	2500	98,43	3,43	7,56						
9340							10÷14	22,05÷30,86	2500	98,43	3,58	7,89						
9346L							0,5÷2	1,1÷4,41	2500	98,43	3,14	6,92						
9346							2÷4	4,41÷8,82	2500	98,43	3,14	6,92						
9347							4÷6	8,82÷13,23	2500	98,43	3,32	7,32						
9348							6÷8	13,23÷17,63	2500	98,43	3,38	7,45						
9349							8÷10	17,63÷22,05	2500	98,43	3,48	7,67						
9350							10÷14	22,05÷30,86	2500	98,43	3,62	7,98						
9354							4÷7	8,82÷15,43	2000	78,74	4,94	10,89						
9355							7÷10	15,43÷22,05	2000	78,74	5,30	11,68						
9356							10÷14	22,05÷30,86	2000	78,74	5,67	12,5						
9357							14÷18	30,86÷39,68	2000	78,74	6,26	13,8						
9358							18÷22	39,68÷48,50	2000	78,74	5,89	12,99						
9359							22÷25	48,50÷55,12	2000	78,74	6,53	14,4						
9361							10÷15	22,05÷33,07	2000	78,74	9,91	21,85						
9362							15÷20	33,07÷44,10	2000	78,74	10,20	22,49						
9363							20÷25	44,10÷55,12	2000	78,74	10,48	23,1						
9364							25÷30	55,12÷66,14	2000	78,74	11,32	24,96						
9365							30÷35	66,14÷77,16	2000	78,74	11,32	24,96						
9366							35÷45	77,16÷99,21	2000	78,74	12,21	26,92						
9367							45÷55	99,21÷121,25	2000	78,74	12,21	26,92						
9368							55÷65	121,25÷143,3	2000	78,74	13,06	28,79						
9369							65÷75	143,3÷165,35	2000	78,74	13,86	30,56						
9370							75÷90	165,35÷198,42	2000	78,74	16,84	37,13						
9371							90÷105	198,42÷231,49	2000	78,74	17,77	39,18						
9401							15÷20	33,07÷44,10	2500	98,43	19,67	43,36						
9402							20÷30	44,10÷66,14	2500	98,43	21,11	46,54						
9403							30÷40	66,14÷88,18	2500	98,43	21,11	46,54						
9404							40÷50	88,18÷110,23	2500	98,43	22,03	48,57						
9405							50÷60	110,23÷132,28	2500	98,43	23,07	50,86						

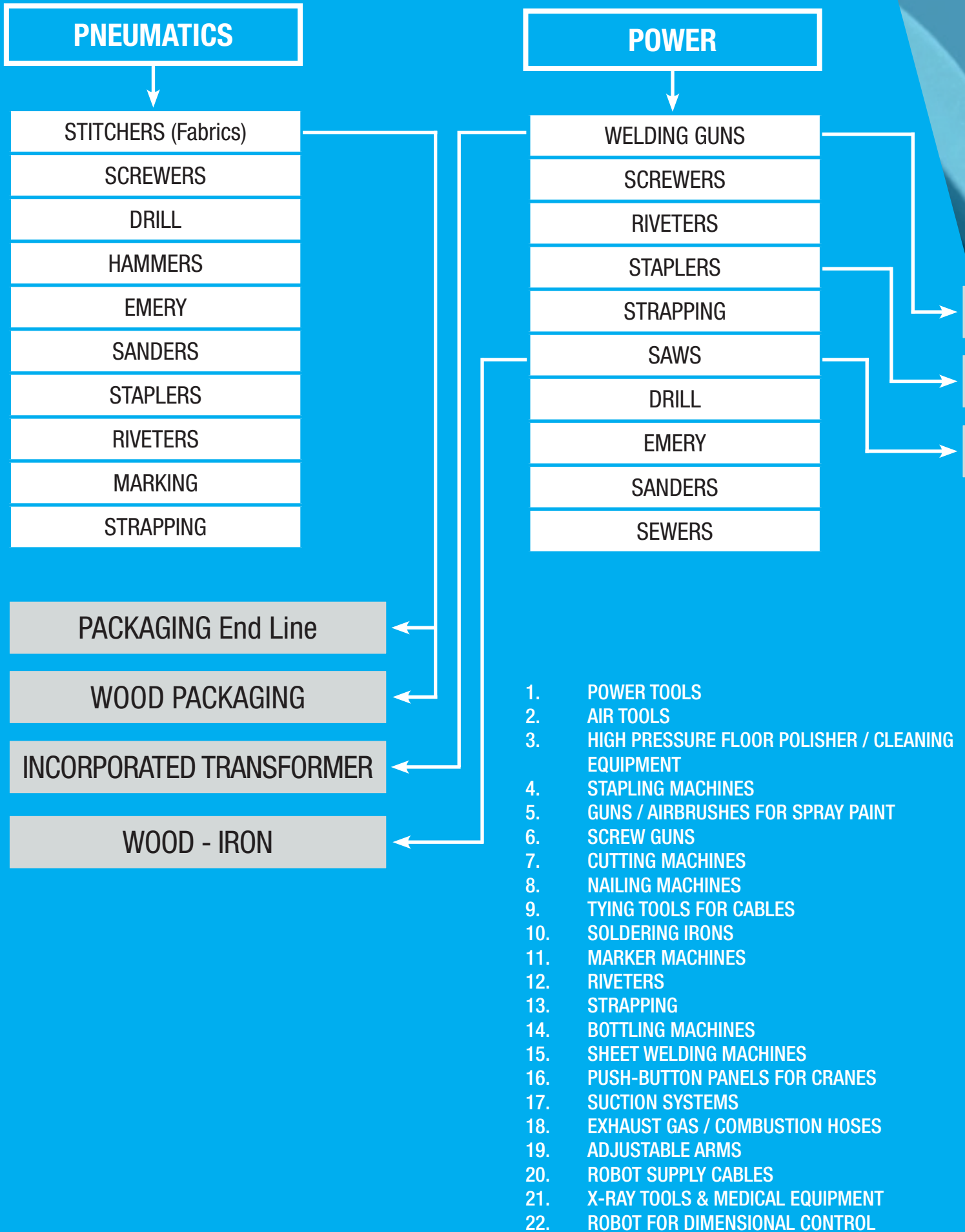


# ITEM

kg / lb - mm / inch

G	NY	AX	ESD	IL RL	Kg	lb	mm	inch	Kg	lb	
9431	G			RL	15÷20	33,07÷44,10	3000	118,11	19,67	43,36	
9432	G			RL	20÷25	44,10÷55,12	3000	118,11	19,67	43,36	
9433	G			RL	25÷35	55,12÷77,16	3000	118,11	21,11	46,54	
9411	G			RL	60÷70	132,28÷132,28	2500	98,43	25,56	56,35	
9412	G			RL	70÷80	132,28÷176,37	2500	98,43	26,75	58,97	
9413	G			RL	80÷90	176,37÷198,42	2500	98,43	27,90	61,51	
9414	G			RL	90÷100	198,42÷220,46	2500	98,43	28,46	62,74	
9434	G			RL	35÷45	77,16÷99,21	3000	118,11	24,46	53,93	
9435	G			RL	40÷50	88,18÷110,23	3000	118,11	23,65	52,14	
9436	G			RL	50÷60	110,23÷132,28	3000	118,11	24,69	54,43	
9441	G			RL	60÷70	132,28÷132,28	3000	118,11	25,56	56,35	
9442	G			RL	70÷80	132,28÷176,37	3000	118,11	26,75	58,97	
9443	G			RL	80÷90	176,37÷198,42	3000	118,11	27,90	61,51	
9444	G			RL	80÷100	176,37÷220,46	3000	118,11	28,46	62,74	
9422	G			RL	100÷120	220,46÷264,56	2500	98,43	36,61	80,73	
9423	G			RL	120÷140	264,56÷308,65	2500	98,43	38,51	84,9	
9424	G			RL	130÷150	308,65÷330,69	2500	98,43	38,83	85,61	
9425	G			RL	140÷160	330,69÷352,74	2500	98,43	40,90	90,17	
9426	G			RL	160÷180	352,74÷396,83	2500	98,43	43,20	95,24	
9451	G			RL	100÷115	220,46÷253,53	3000	118,11	36,61	80,71	
9452	G			RL	115÷130	253,53÷308,65	3000	118,11	36,77	81,06	
9453	G			RL	130÷140	308,65÷330,69	3000	118,11	38,51	84,9	
9454	G			RL	140÷150	330,69÷330,69	3000	118,11	38,83	85,61	
9455	G			RL	150÷160	330,69÷352,74	3000	118,11	40,90	90,17	
9456	G			RL	160÷180	352,74÷396,83	3000	118,11	43,20	95,24	
9502			AX	ESD	RL	20÷30	44,10÷66,14	2100	82,68	12,60	27,78
9503			AX	ESD	RL	30÷40	66,14÷88,18	2100	82,68	15,20	33,51
9504			AX	ESD	RL	40÷50	88,18÷110,23	2100	82,68	15,50	34,17
9505			AX	ESD	RL	50÷60	110,23÷132,28	2100	82,68	16,70	36,82
9506			AX	ESD	RL	60÷70	132,28÷132,28	2100	82,68	15,50	34,17
9507			AX	ESD	RL	70÷80	132,28÷176,37	2100	82,68	17,70	39,02
9508			AX	ESD	RL	80÷90	176,37÷198,42	2100	82,68	16,20	35,71
9509			AX	ESD	RL	80÷100	176,37÷220,46	2100	82,68	16,80	37,04
9520			AX	ESD	RL	12÷20	26,46÷44,10	2700	106,3	12,80	28,22
9521			AX	ESD	RL	20÷30	44,10÷66,14	2700	106,3	12,60	27,78
9522			AX	ESD	RL	30÷40	66,14÷88,18	2700	106,3	15,80	34,83
9523			AX	ESD	RL	40÷50	88,18÷110,23	2700	106,3	15,40	33,95
9524			AX	ESD	RL	50÷60	110,23÷132,28	2700	106,3	16,60	36,6
9525			AX	ESD	RL	60÷70	132,28÷132,28	2700	106,3	15,70	34,61
9200						0,4÷0,8	0,88÷1,76	1350	53,15	1,10	2,43
9201						0,75÷1,5	1,65÷3,31	1350	53,15	1,10	2,43
9202						1,2÷2,5	2,65÷5,51	1350	53,15	1,30	2,87
9203						3÷5	6,61÷11,02	900	35,43	1,30	2,87

# APPLICATION LIST



## HYDRAULIC

RIVETERS

CLINCIATRICI

HYDRAULIC WRENCHES

SEPARATE TRANSFORMER

PACKING CARTONS

SLAUGHTER

## SPECIAL APPLICATIONS

IRONS

VACUUM CLEANERS

SPORTS TOOLS

CLOSE DOOR

CABLE GUIDE

FUEL PUMPS

GARDENING

LEATHER PROCESSING

EV CHARGING STATIONS

FOOD&MEAT PROCESSING

ROBOTICS & AUTOMATION

LOGISTICS

TANK WASHING

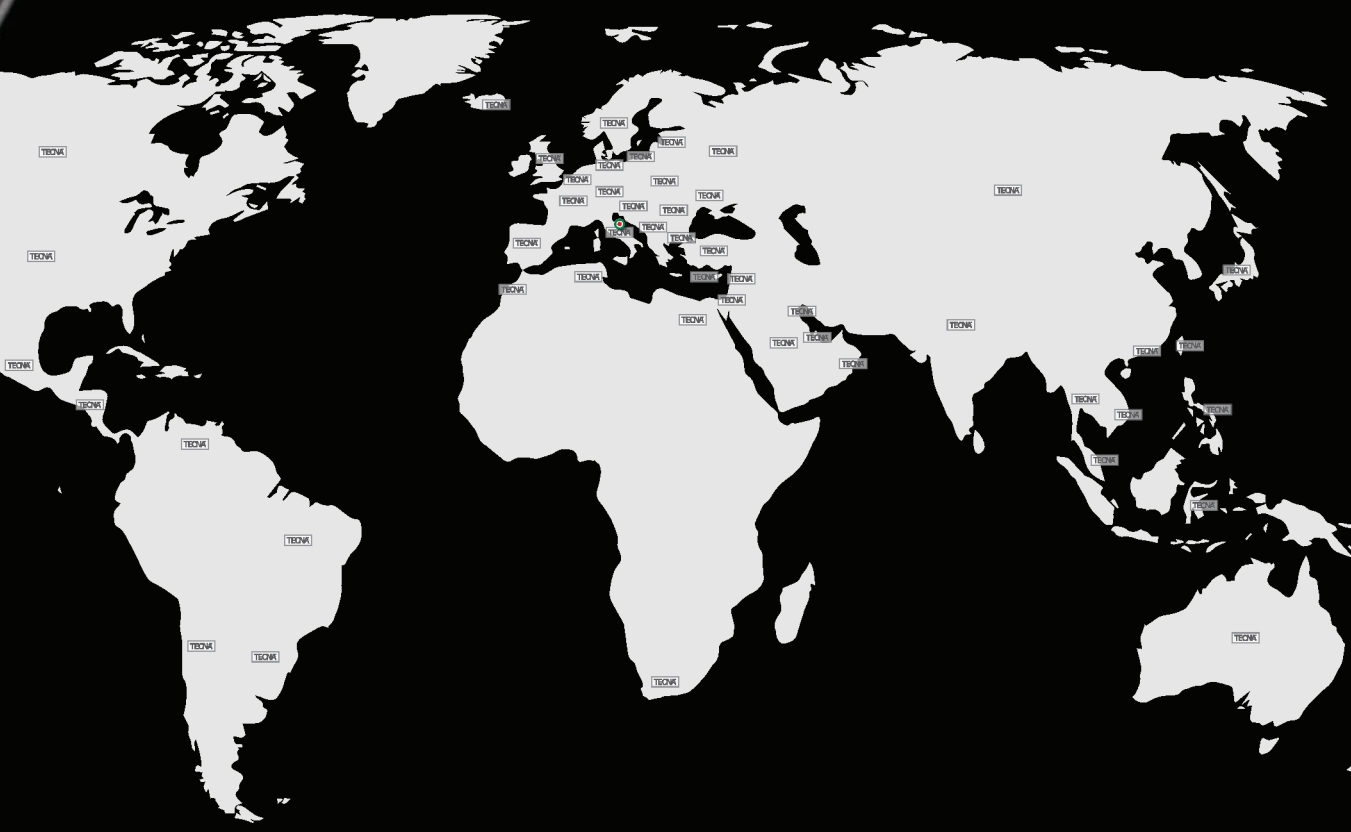
23. TOOLS FOR SLAUGHTERHOUSES
24. TOOLS FOR WORKING THE ROCKS
25. CONVEYOR BELTS AND RAILS
26. POWER SUPPLY BUSBARS
27. TOOLS FOR WORKING WOOD
28. SUBMERSIBLE PUMPS AND STIRRERS
29. INDUSTRIAL SEWING MACHINES
30. TOOLS FOR PACKING
31. WELDING GUNS
32. WELDING JIGS
33. CALLIPERS FOR HOLES AND MICROMETERS
34. CABLE HOLDER IN ELECTRIC CABINS
35. MONITOR SUSPENSION
36. PIPES FOR PETROL PUMPS
37. HOSES FOR GAS PUMPS
38. FILLING MACHINES FOR THE FOOD INDUSTRY
39. SUSPENSION OF EQUIPMENT FOR LEATHER PROCESSING
40. ELECTRICAL AND PNEUMATIC STAPLERS
41. AIRBRUSHES AND GUNS FOR PAINTING
42. RIVETERS
43. PHOTOGRAPHY/CINEMA/THEATRE
44. REHAB EQUIPMENT

... for all kind  
of tools

# TECNA Balancers Lines



*Precision Tailored for Every Work Environment  
Elevate Your Efficiency Across Industries!*



# TECNA®

Resistance Welding Systems & Balancers



Via Meucci, 27  
40024 - Castel San Pietro Terme (BO)  
Italy  
Tel. +39 051 695 4411  
Fax +39 051 654 4490  
vendite@tecna.net  
sales@tecna.net



[www.tecna.net](http://www.tecna.net)

Fabbricato in Italia