

TECNA[®]

Resistance Welding Systems & Balancers



General Catalogue ATEX Balancers

CAPACITY 0,2 ÷ 100 kg

CE
EAC UK
CA

Ex **ATEX**
COMPLIANT
ATmosphères EXplosibles



www.tecna.net



TECNA S.P.A. - VIA MEUCCI, 27 - CASTEL SAN PIETRO TERME

TECNA produces and distributes a complete range of BALANCERS having a capacity from 0.2 kg to 180 kg and an available standard wire stroke up to 3 meters. The TECNA BALANCER is an essential device to eliminate the operator's labour, to increase productivity by cutting down tools handling time and to improve work quality. Furthermore, the use of the TECNA BALANCERS reduces hoses and cables wear and avoids eventual damages to both people and tools.

The application of the TECNA BALANCER is absolutely versatile: it may be used for bench or assembly line works and it may be suitably applied to small tools, industrial suspended welders and multiple screw drivers. The ergonomic structure of the TECNA balancers has been designed to facilitate each application of use, ranging from movement easiness to body robustness, from simple use to lifting power.

TECNA, as a primary manufacturer, realizes special as well as customized versions upon demand.



TECNA S.P.A. - VIA GR



Fabbricato in Italia





MECO, 25/27 - CASTEL SAN PIETRO TERME



Ex **ATEX**
COMPLIANT
ATmosphères EXplosibles



CE **EAC** **UK**
CA

DIN
15112

SPRING BALANCERS ATmosphères EXplosibles

WHY ATEX

TECNA was the first to develop a dedicated line with AtEx certification, suitable for use in areas with a potentially explosive atmosphere composed of flammable gases or combustible materials.

TECNA AX BALANCERS, depending on the models, are compatible with most flammable fumes, gases including Propane, Ethylene, Acetylene and Hydrogen (IIC group), as well as flammable dust.

Balancers are meant for safety and ergonomics and they must be able to follow you and your needs in every possible scenario. Therefore TECNA made balancers that can follow you also in dangerous situations, where even the tiniest spark can mean trouble.

AtEx certification, beside other features, requires products to be entirely conductive, grounded and with spark-proof materials. **TECNA AX BALANCERS** line guarantees this and more.



GROUNDED



ENTIRELY CONDUCTIVE

TECNA AX BALANCERS line is perfect for Oil&Gas applications, oil plants and refineries, chemical plants, but also tank washers, as well as situations with flour or flammable powders in suspension.

TECNA AX BALANCERS LINE was the first to obtain AtEx certification in 2009, to supply a solution for use in areas with a potentially explosive atmosphere or where grounding and conductivity are a requirement.

The challenge was to manufacture balancers with the same endurance and performance, which would be compliant with AtEx requirements, in a no-compromise line.

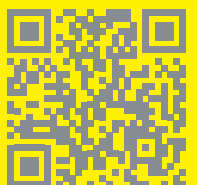
TECNA AX BALANCERS LINE performs equal to the classic **TECNA BALANCERS** line, simply with full compliance with AtEx strict requirement.

TECNA BALANCERS can follow you wherever you go, wherever you work. Just use them and you will see, the only limit is your creativity. And when you don't find an answer, just contact us and we'll listen.

ATEX RETRACTORS



Use your instrument with minimum effort
When released, the load will return to its rest position



9310AX÷9313AX

9320AX÷9323AX

01



	Aluminium
	1600 mm
	Stainless Steel
	0,2÷3 kg



II 2G Ex h IIC T6 Gb

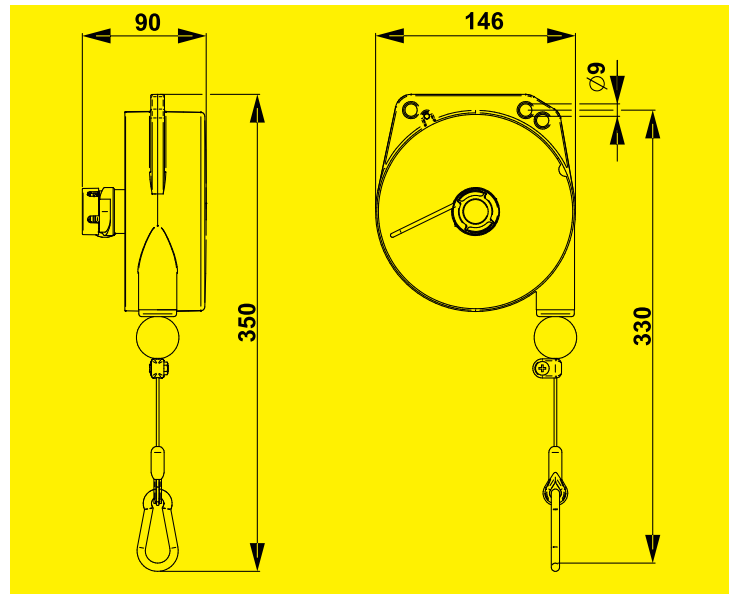
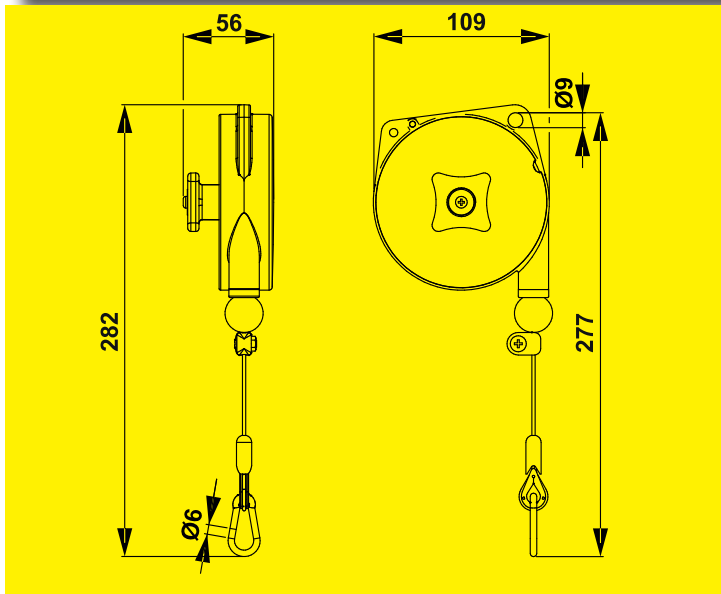
02



	Aluminium
	2000 mm
	Stainless Steel
	1÷8 kg



II 2G Ex h IIC T6 Gb
II 2G Ex h IIB T6 Gb (9323AX)



Item	9310AX	9311AX	9312AX	9313AX
	0,2÷0,5	0,4÷1	1÷2	2÷3
	0,55	0,57	0,60	0,74

Item	9320AX	9321AX	9322AX	9323AX
	1÷2,5	2÷4	4÷6	6÷8
	1,67	1,90	1,98	2,28

9336LAX÷9340AX

9346LAX÷9350AX

03



	Aluminium
	2500 mm
	Stainless Steel
	0,5÷14 kg



- II 2G Ex h IIC T6 Gb (9336LAX/9336AX)
- II 2G Ex h IIB T6 Gb (9337AX÷9339AX)
- II 2G Ex h IIA T6 Gb (9340AX)

04

STOP



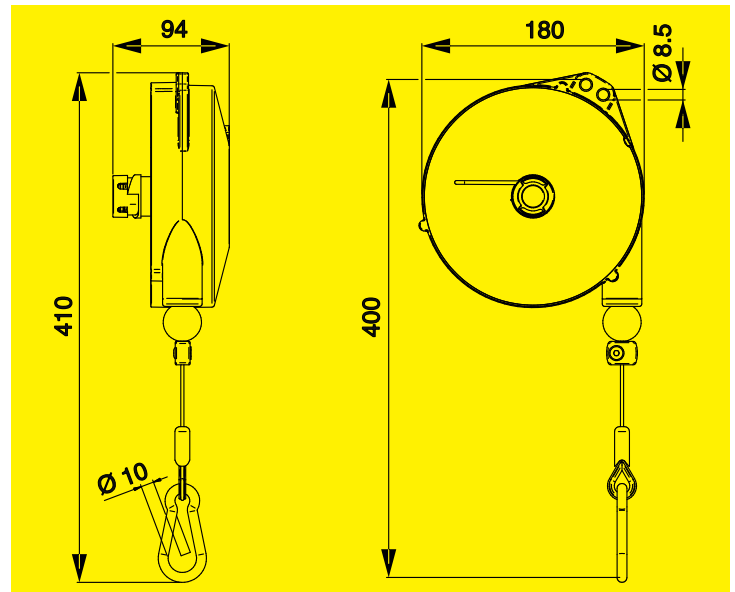
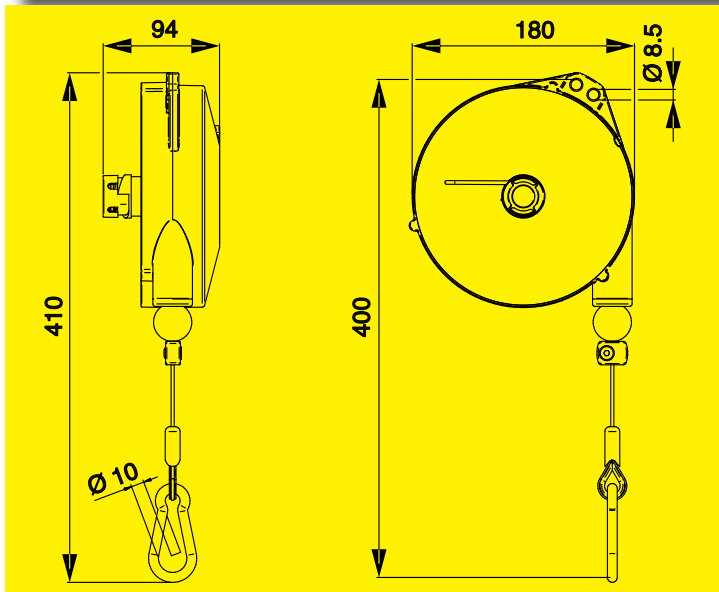
	Aluminium
	2500 mm
	Stainless Steel
	0,5÷14 kg



- II 2G Ex h IIC T6 Gb (9346LAX/9346AX)
- II 2G Ex h IIB T6 Gb (9347AX÷9349AX)
- II 2G Ex h IIA T6 Gb (9350AX)



These balancers are equipped with a device enabling to stop the stroke by carrying out a simple operation on the load.



Item	9336LAX	9336AX	9337AX	9338AX	9339AX	9340AX
	0,5÷2	2÷4	4÷6	6÷8	8÷10	10÷14
	3,14	3,14	3,30	3,36	3,43	3,58

Item	9346LAX	9346AX	9347AX	9348AX	9349AX	9350AX
	0,5÷2	2÷4	4÷6	6÷8	8÷10	10÷14
	3,14	3,14	3,32	3,38	3,48	3,62

BALANCERS TECHNICAL FEATURES



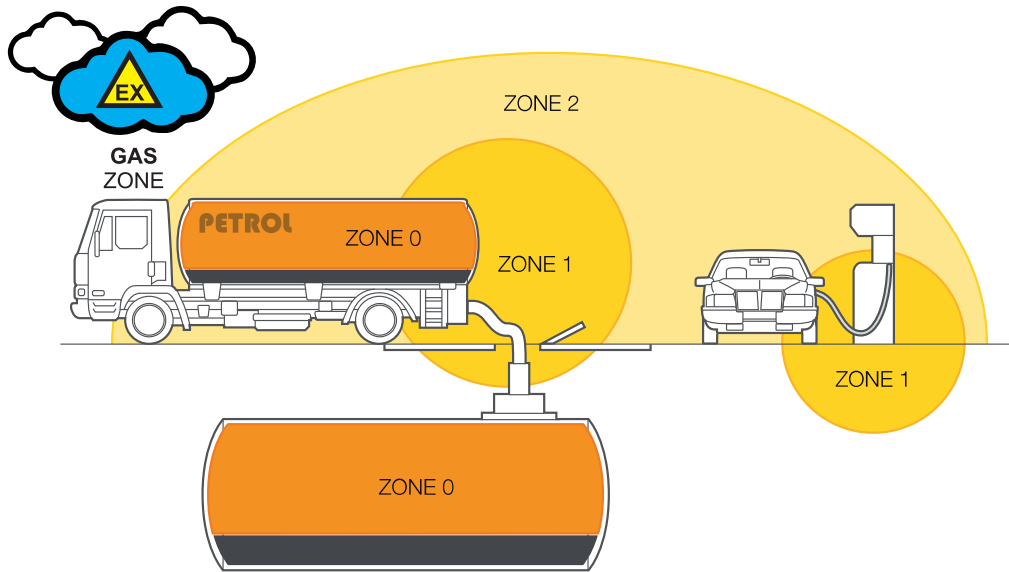
	9310AX÷9313AX	9320AX÷9323AX	9336LAX÷9340AX	9346LAX÷9350AX	
kg	0.2÷3	1÷8	0,5÷14	0,5÷14	Capacity
mm	1600	2000	2500	2500	Stroke
	●	●	●	●	Rugged construction, cast aluminium body
	●	●	●	●	Stainless steel rope
	●	●	●	●	Adjustable capacity
	●	●	●	●	Safety suspension
		●	●	●	Safety device against load dropping due to the spring breakage (capacity >3kg)
	●	●	●	●	Adjustable stroke limiting device
	●	●	●	●	Cable guide in antifriction material
	●	●	●	●	Inert spring drum assembly
	●	●	●	●	Polyamides thimble

ATEX CODING		9310AX	9311AX	9312AX	9313AX	9320AX	9321AX	9322AX	9323AX	9336LAX	9336AX	9337AX	9338AX	9339AX	9340AX	9346LAX	9346AX	9347AX	9348AX	9349AX	9350AX
GAS	II 2G Ex h IIA T6 Gb														●						●
GAS	II 2G Ex h IIB T6 Gb								●			●	●	●					●	●	●
GAS	II 2G Ex h IIC T6 Gb	●	●	●	●	●	●	●		●	●					●	●				

PACKAGING FEATURES



	9310AX	9311AX	9312AX	9313AX	9320AX	9321AX	9322AX	9323AX	9336LAX	9336AX	9337AX
kg	0.50	0.60	0.60	0.70	1,80	2,1	2,1	2.5	3.40	3.40	3.60
lb	1.10	1.32	1.32	1.54	3.97	4.63	4.63	5.51	7.50	7.50	7.94
mm	204x112x62	204x112x62	204x112x62	204x112x62	254x149x96	254x149x96	254x149x96	254x149x96	304x186x100	304x186x100	304x186x100
inch	6.3x4.7x2.4	6.3x4.7x2.4	6.3x4.7x2.4	6.3x4.7x2.4	10x5.87x3.78	10x5.87x3.78	10x5.87x3.78	10x5.87x3.78	11.97x7.32x3.94	11.97x7.32x3.94	11.97x7.32x3.94
●	2/11	2/11	2/11	2/11	3/12	3/12	3/12	3/12	4/13	4/13	4/13
	9338AX	9339AX	9340AX	9346LAX	9346AX	9347AX	9348AX	9349AX	9350AX		
kg	3.70	3.70	3.80	3.40	3.40	3.60	3.70	3.80	3.90		
lb	8.16	8.16	8.38	7.50	7.50	7.94	8.16	8.38	8.60		
mm	304x186x100	304x186x100	304x186x100	304x186x100	304x186x100	304x186x100	304x186x100	304x186x100	304x186x100		
inch	11.97x7.32x3.94	11.97x7.32x3.94	11.97x7.32x3.94	11.97x7.32x3.94	11.97x7.32x3.94	11.97x7.32x3.94	11.97x7.32x3.94	11.97x7.32x3.94	11.97x7.32x3.94		
●	4/13	4/13	4/13	5/14	5/14	5/14	5/14	5/14	5/14		



ATEX Symbol

II 2G

Equipment Marker (ATEX Only)

Ex h

Type of Protection

IIB

Gas Group

T6

Temperature Class

Gb

Equipment Protection Level (EPL)

GAS	Product Category		GAS Zone	Definition	
	3G	2G	1G	ZONE 2	Explosive atmosphere is unlikely to occur under normal conditions, short periods
				ZONE 1	Explosive atmosphere is likely to occur under normal conditions, occasionally
				ZONE 0	Explosive atmosphere present continuously or for long periods, frequently
Explosion group		Gases are classified according to the ignitability of the gas/air mixture as defined in EN/IEC 60079-20-1		TECNA ATEX balancers	
IIA	IIB	IIC	Acetic Acid, Acetone, Ammonia, Butane, Cyclohexane, Propane, Gasoline (petrol), Methane (natural gas, non-mining), Toluene, Xylene, Methanol (methyl alcohol), Propane-2-ol (iso-propyl alcohol)		All TECNA AX balancers
			Group IIA gases plus, Di-ethyl ether, Ethylene, Ethanol Methyl ethyl ketone (MEK), Propane-1-ol (n-propyl alcohol)		TECNA AX balancers UP TO 10kg load range
			Group IIA and IIB gases plus, Acetylene, Hydrogen		TECNA AX balancers models: 9310AX, 9311AX, 9312AX, 9320AX, 9321AX, 9322AX, 9336LAX, 9336AX, 9346LAX, 9346AX
II		Product Group. For use in locations with explosive atmospheres, except in the mining sector.			
EX h		Category of protection against ignition. Protection by constructive safety in accordance with EN ISO 80079-37 (non-electrical devices)			
T6		Temperature class. Classification of explosive gas/air mixtures can also occur through contact with hot surfaces. T6 is the class with the highest requirements.			
Gb		Equipment Protection Level (EPL). In normal operation and expected malfunctions, it does not contain effective ignition sources with regard to gases.			



TECNA[®] **Ex** **ATEX**
COMPLIANT







ATEX ZERO GRAVITY BALANCERS



**Use your instrument without feeling its weight
The load maintains the position where you leave it**



05

	Aluminium
	2000 mm
	Stainless Steel
	4÷25 kg

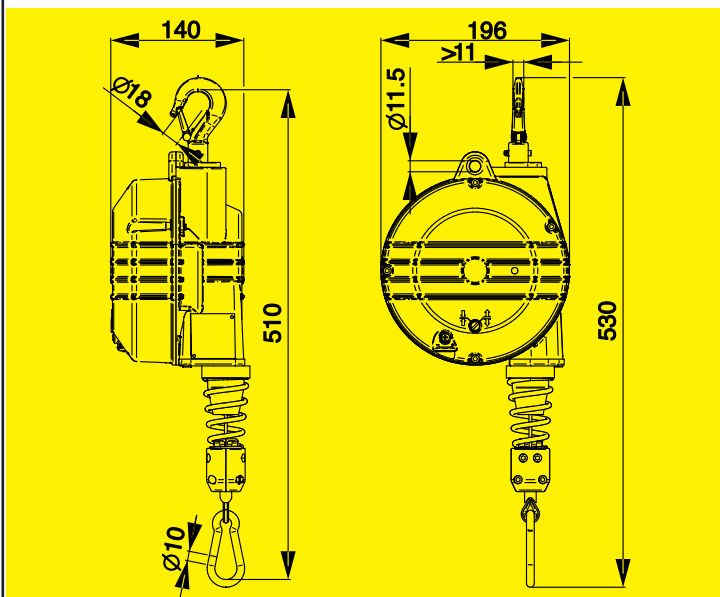
Option RC (7270000004)

Conductive rotating hook group.

*Option F

The balancer is equipped with a friction/brake which controls the rotation speed of the drum.



*This option is feasible when placing a new order while it is not possible to assemble this device on balancers already installed.



II 2G Ex h IIB T6 Gb (9354AX/9355AX)

II 2G Ex h IIA T6 Gb (9356AX÷9359AX)

II 2D Ex h IIIC T85°C Db

Item	9354AX	9355AX	9356AX	9357AX	9358AX	9359AX
 **	4÷7	7÷10	10÷14	14÷18	18÷22	22÷25
	4,94	5,30	5,67	6,26	5,89	6,53

06



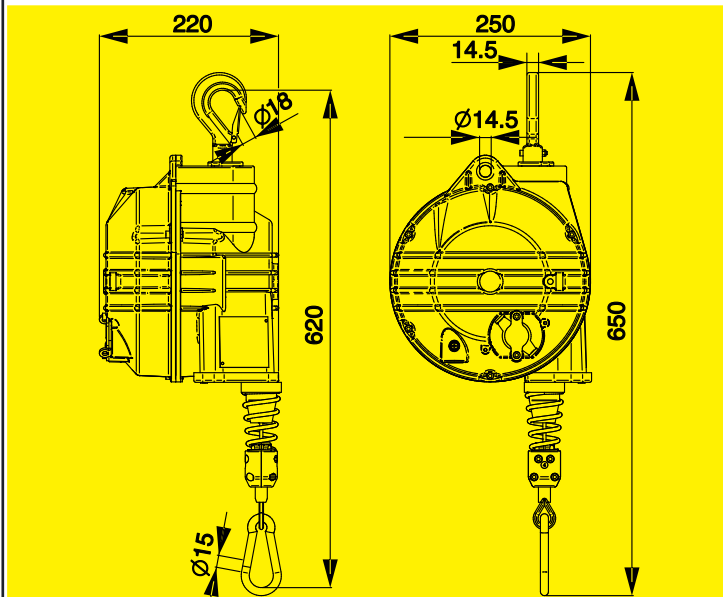
II 2G Ex h IIA T6 Gb
II 2D Ex h IIIC T85°C Db

	Aluminium	
	2100 mm	9502AX ÷ 9509AX
	2700 mm	9520AX ÷ 9525AX
	Stainless Steel	
	12÷100 kg	

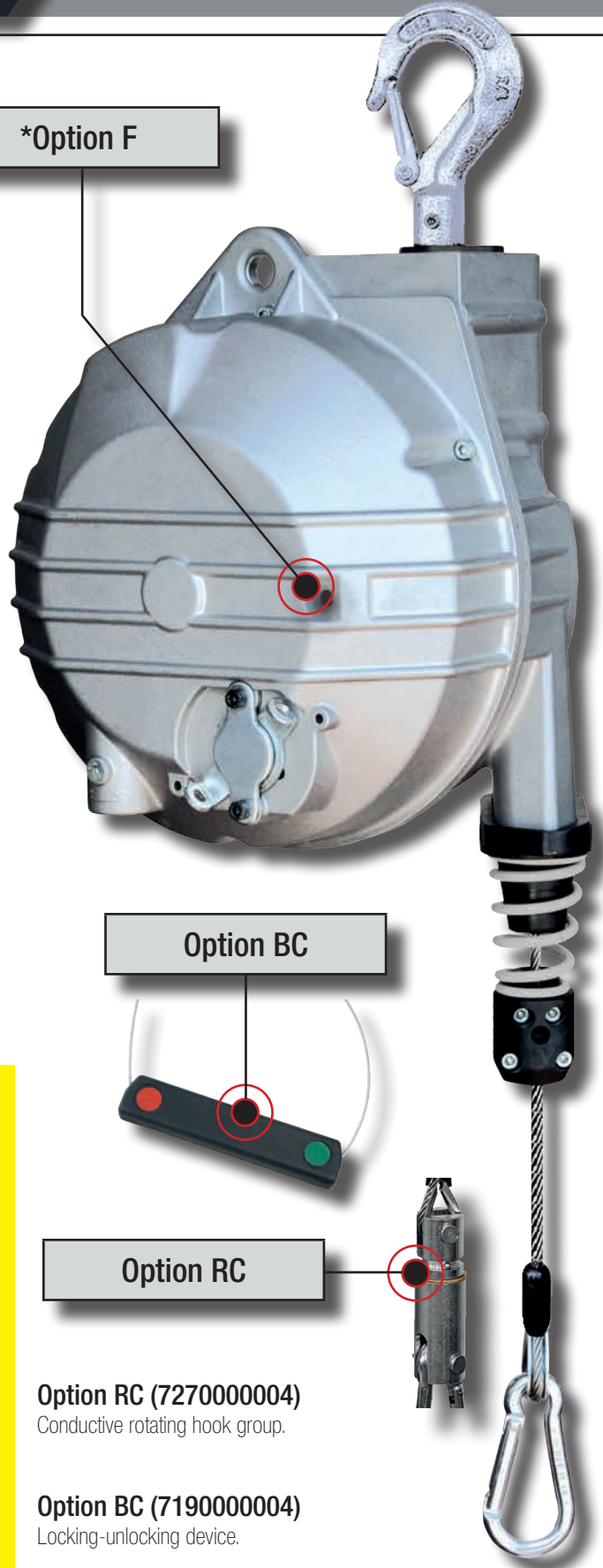
***Option F**

The balancer is equipped with a friction/brake which controls the rotation speed of the drum.

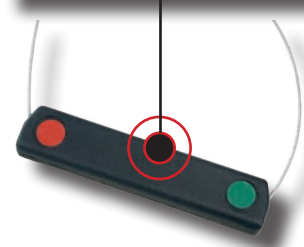
*This option is feasible when placing a new order while it is not possible to assemble this device on balancers already installed.



*Option F



Option BC



Option RC



Option RC (7270000004)
Conductive rotating hook group.

Option BC (7190000004)
Locking-unlocking device.

Item	9502AX	9503AX	9504AX	9505AX	9506AX	9507AX	9508AX	9509AX	9520AX	9521AX	9522AX	9523AX	9524AX	9525AX
**	20÷30	30÷40	40÷50	50÷60	60÷70	70÷80	80÷90	90÷100	12÷20	20÷30	30÷40	40÷50	50÷60	60÷70
	12,60	15,20	15,50	16,70	15,50	17,70	16,20	16,80	12,80	12,60	15,80	15,40	16,60	15,70

BALANCERS TECHNICAL FEATURES



	9354AX÷9359AX	9502AX÷9509AX	9520AX÷9525AX	
kg	4÷25	20÷100	12÷70	Capacity
mm	2000	2100	2700	Stroke
	●	●	●	Ribbed and sealed construction in aluminium alloy
	●	●	●	Stainless steel rope
	●	●	●	Adjustable capacity by means of a worm screw
	●	●	●	Safety suspension
	●	●	●	Safety device against load dropping due to the spring breakage (capacity >3kg)
	●	●	●	Upper rotary suspension with safety hook
	●	●	●	Locking device to block the load at any height
	●	●	●	Adjustable stroke limiting device
	●	●	●	Taper drum rotating on ball bearings
	●	●	●	Cable guide in antifriction material
	●	●	●	Rotary upper hook with ball bearing
	●	●	●	Inert spring drum assembly

ON REQUEST OPTIONS F & ACCESSORIES BC - RC

F	* ●	* ●	* ●	F: Brake device
BC		●	●	7190000004: Locking-unlocking device.
RC	●	●	●	7270000004: Rotary hook

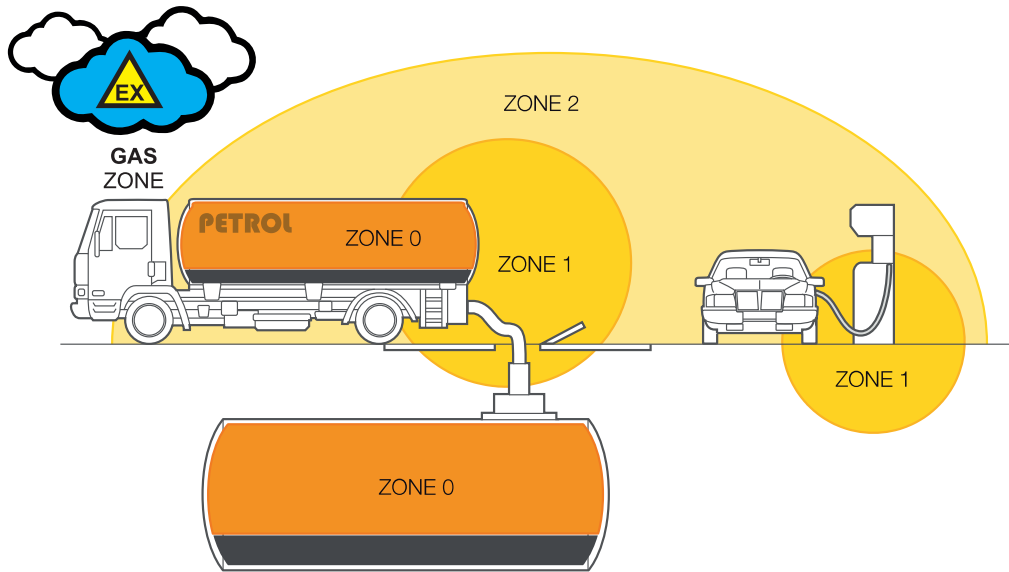
ATEX CODING		9354AX	9355AX	9356AX	9357AX	9358AX	9359AX	9502AX	9503AX	9504AX	9505AX	9506AX	9507AX	9508AX	9509AX	9520AX	9521AX	9522AX	9523AX	9524AX	9525AX
GAS	II 2G Ex h IIA T6 Gb			●	●	●	●	●	●	●	●	●	●	●	●	●	●	●	●	●	●
GAS	II 2G Ex h IIB T6 Gb	●	●																		
DUST	II 2D Ex h IIIC T85°C Db	●	●	●	●	●	●	●	●	●	●	●	●	●	●	●	●	●	●	●	●

*This option is feasible when placing a new order while it is not possible to assemble this device on balancers already installed.

PACKAGING FEATURES



	9354AX	9355AX	9356AX	9357AX	9358AX	9359AX	9502AX	9503AX	9504AX	9505AX	9506AX
kg	6,00	6,40	6,80	7,40	7,00	7,60	14,40	17,00	17,30	18,50	17,30
lb	13,23	14,11	14,99	16,31	15,43	16,76	31,75	37,48	31,14	40,79	38,14
mm	525x206x175	525x206x175	525x206x175	525x206x175	525x206x175	525x206x175	590x265x260	590x265x260	590x265x260	590x265x260	590x265x260
inch	16,5x8,1x6,5	16,5x8,1x6,5	16,5x8,1x6,5	16,5x8,1x6,5	16,5x8,1x6,5	16,5x8,1x6,5	17,9x10,6x11	17,9x10,6x11	17,9x10,6x11	17,9x10,6x11	17,9x10,6x11
●	20/21	20/21	20/21	20/21	20/21	20/21	22	22	22	22	22
	9507AX	9508AX	9509AX	9520AX	9521AX	9522AX	9523AX	9524AX	9525AX		
kg	19,50	18,00	18,60	14,60	14,40	17,60	17,20	18,40	17,50		
lb	43,00	39,68	41,01	32,19	31,75	38,80	38,00	40,57	38,58		
mm	590x265x260	590x265x260	590x265x260	590x265x260	590x265x260	590x265x260	590x265x260	590x265x260	590x265x260		
inch	17,9x10,6x11	17,9x10,6x11	17,9x10,6x11	17,9x10,6x11	17,9x10,6x11	17,9x10,6x11	17,9x10,6x11	17,9x10,6x11	17,9x10,6x11		
●	22	22	22	22	22	22	22	22	22		



ATEX Symbol

II 2G

Equipment Marker
(ATEX Only)

Ex h

Type of Protection

IIB

Gas Group

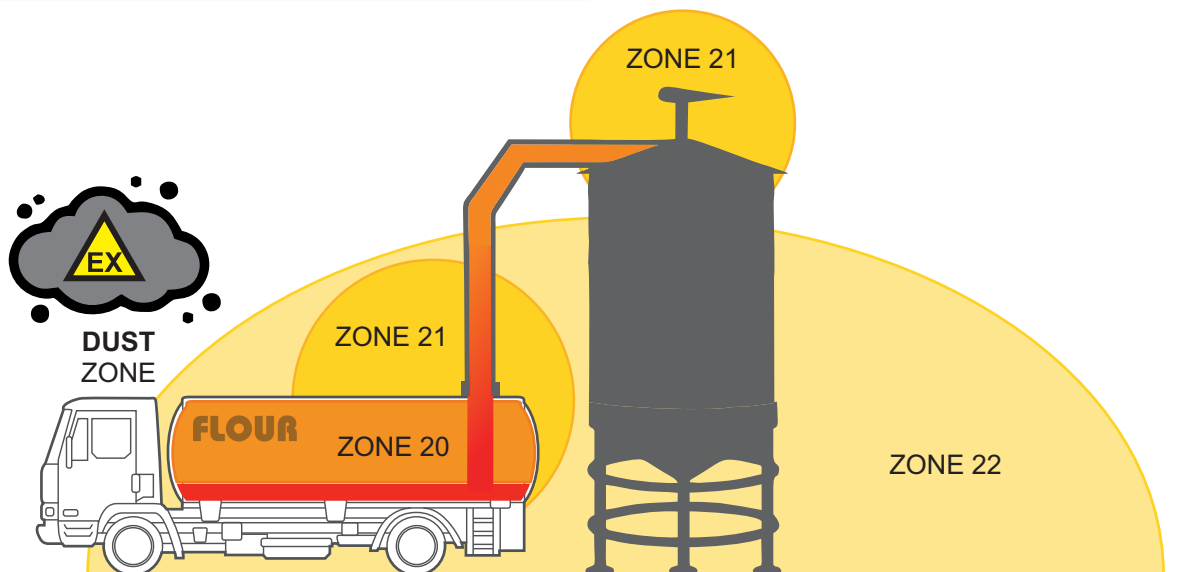
T6

Temperature Class

Gb

Equipment Protection Level
(EPL)

GAS	Product Category		GAS Zone	Definition	
	3G	2G	1G	ZONE 2	Explosive atmosphere is unlikely to occur under normal conditions, short periods
				ZONE 1	Explosive atmosphere is likely to occur under normal conditions, occasionally
				ZONE 0	Explosive atmosphere present continuously or for long periods, frequently
Explosion group		Gases are classified according to the ignitability of the gas/air mixture as defined in EN/IEC 60079-20-1		TECNA ATEX balancers	
IIA	IIB	IIC	Acetic Acid, Acetone, Ammonia, Butane, Cyclohexane, Propane, Gasoline (petrol), Methane (natural gas, non-mining), Toluene, Xylene, Methanol (methyl alcohol), Propane-2-ol (iso-propyl alcohol)		All TECNA AX balancers
			Group IIA gases plus, Di-ethyl ether, Ethylene, Ethanol Methyl ethyl ketone (MEK), Propane-1-ol (n-propyl alcohol)		TECNA AX balancers UP TO 10kg load range
			Group IIA and IIB gases plus, Acetylene, Hydrogen		TECNA AX balancers models: 9310AX, 9311AX, 9312AX, 9320AX, 9321AX, 9322AX, 9336LAX, 9336AX, 9346LAX, 9346AX
II		Product Group. For use in locations with explosive atmospheres, except in the mining sector.			
EX h		Category of protection against ignition. Protection by constructive safety in accordance with EN ISO 80079-37 (non-electrical devices)			
T6		Temperature class. Classification of explosive gas/air mixtures can also occur through contact with hot surfaces. T6 is the class with the highest requirements.			
Gb		Equipment Protection Level (EPL). In normal operation and expected malfunctions, it does not contain effective ignition sources with regard to gases.			



ATEX Symbol

II 2D

Equipment Marker
(ATEX Only)

Ex h

Type of Protection

IIIC

Dust Group

T85°C

Temperature Class

Db

Equipment Protection Level (EPL)

Product Category		DUST Zone	Definition
3D	2D	ZONE 22	Explosive atmosphere is unlikely to occur under normal conditions, short periods.
		ZONE 21	Explosive atmosphere is likely to occur under normal conditions, occasionally.
	1D	ZONE 20	Explosive atmosphere present continuously or for long periods, frequently.

Explosion group		Dusts are classified by the types of material that make up the dust	TECNA ATEX balancers
IIIA	IIIB	Combustible Fibres and Flyings	All TECNA AX ZERO GRAVITY balancers
		Group IIIA dusts plus, Non-Conductive Dusts	
		Group IIIA and IIIB dusts plus, Conductive Dusts	

DUST

II	Product Group. For use in locations with explosive atmospheres, except in the mining sector.
EX h	Category of protection against ignition. Protection by constructive safety in accordance with EN ISO 80079-37 (non-electrical devices)
T85°C	Maximum surface temperature. Can be used for dust and powder deposits with an ignition or flameless combustion temperature ABOVE 85°C.
Db	Equipment Protection Level (EPL). In normal operation and expected malfunctions, it does not contain effective ignition sources with regard to dust.

EXTENSIONS CABLES FOR BALANCERS

mm / inch

EXTENSIONS CABLES (carabiner 40mm-1.57")

9310AX ÷ 9313AX

(L) MM	CODE (Stainless steel rope Ø 2-0.08")	(L) inch
500	7260000149	19.68
1000	7260000150	39.37
2500	7260000151	98.42
3000	7260000152	118.11
5000	7260000153	196.85

EXTENSIONS CABLES (carabiner 60mm-2.36")

9320AX ÷ 9323AX

(L) MM	CODE (Stainless steel rope Ø 2-0.08")	(L) inch
500	7260000164	19.68
1000	7260000165	39.37
2500	7260000166	98.42
3000	7260000167	118.11
5000	7260000168	196.85

EXTENSIONS CABLES (carabiner 80mm-3.14")

9336LAX ÷ 9350AX

(L) MM	CODE (Stainless steel rope Ø 2,5-0.10")	(L) inch
500	7260000159	19.68
1000	7260000160	39.37
2500	7260000161	98.42
3000	7260000162	118.11
5000	7260000163	196.85

EXTENSIONS CABLES (carabiner 80mm-3.14")

9354AX ÷ 9359AX

(L) MM	CODE (Stainless steel rope Ø 3-0.12")	(L) inch
500	72967/0,5	19.68
1000	72967/1	39.37
2500	72967/2,5	98.42
3000	72967/3	118.11
5000	72967/5	196.85

EXTENSIONS CABLES (carabiner 100mm-3.94")

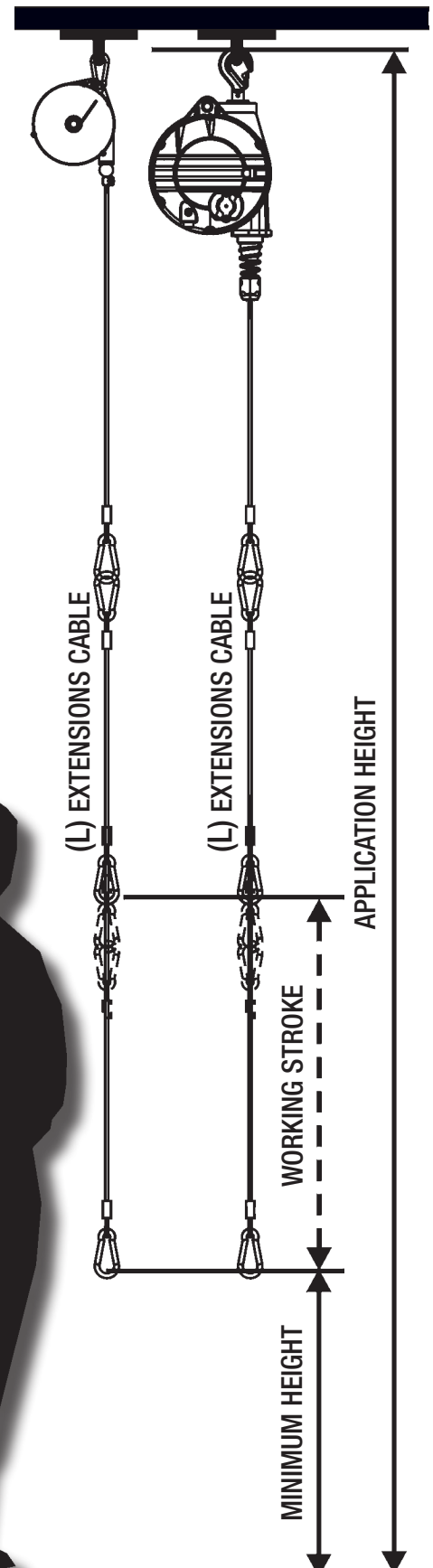
9520AX ÷ 9525AX

(L) MM	CODE (Stainless steel rope Ø 4-0.16")	(L) inch
500	72968/0,5	19.68
1000	72968/1	39.37
2500	72968/2,5	98.42
3000	72968/3	118.11
5000	72968/5	196.85

EXTENSIONS CABLES (carabiner 100mm-3.94")

9502AX ÷ 9509AX

(L) MM	CODE (Stainless steel rope Ø 5-0.20")	(L) inch
500	72969/0,5	19.68
1000	72969/1	39.37
2500	72969/2,5	98.42
3000	72969/3	118.11
5000	72969/5	196.85



YOU ARE IN GOOD HANDS



TECNA BALANCERS are manufactured in Italy, following the highest quality standards, built to last and to help you work with best performance and ergonomics. We make your life better. **TECNA BALANCERS** are essential in eliminating operator fatigue and injuries, increasing productivity by reducing cycle times and improving the quality of the production.

TECNA BALANCERS safeguard your tools, hoses and cables thus increasing their lifetime and your productivity.

TECNA is a leading worldwide manufacturer. Products, spare parts and assistance can be found easily anywhere and everywhere. Just contact us if you don't know a local dealer and we'll support you and guide you to the closest Tecna distributor.

Some numbers game:

Almost 6.000.000 **TECNA BALANCERS** manufactured. TECNA sells on average more than 160.000 BALANCERS per year, with more than 300 different models and possibility of further customisation. One of the most complete range of products available on the market, with load range up to 180kg (400lbs) and rope stroke up to 4,5m (14ft).

More than 2.000 hours of R&D per year are dedicated to product development for balancers. 4 registered patents. 3 new patents pending.

You are in good hands.

AND there's a lot more to TECNA than just a large structure and big numbers. There's competence, there's professionalism, there's thought, there's flexibility. There's PEOPLE. We're here to listen and to provide solutions wherever possible. We're fast, we're flexible. We can handle urgency and we can handle special requests.

TECNA BALANCERS are SAFEST.

All balancers are manufactured in conformity with the DIN 15112 Directive.

All TECNA PRODUCTS undergo thorough testing to ensure maximum safety and performance in time. Breaking load is guaranteed minimum 5 times the declared maximum load for all sensible parts.

Cables are bare, in order to ensure quick visual inspection. TECNA offers cable choice: Stainless steel, Dyneema® or Polypropylene.

Different materials on cables allow **TECNA BALANCERS** to be used in many different situations, for example where a steel cable might scratch delicate objects.

Innovation and improvement are constant and continuous.


TECNA BALANCERS behave excellently and prove their rugged sturdiness also in extreme working conditions, such as heavy duty applications, meat processing industry, outdoor conditions, as well as extremely repeating high-rate uses on assembly lines tool suspension, where long life means higher production.

TECNA was the first to develop a dedicated line with ATEX certification, suitable for use in areas with a potentially explosive atmosphere composed of flammable gases or combustible materials.

TECNA BALANCERS are good and tough and allow you to do a lot more than just suspend loads or tools. Just use them and you will see, the only limit is your creativity. And when you don't find an answer, just contact us and we'll listen. **TECNA BALANCERS** are just so good that you can forget about them... but don't forget to use them!

ITEM

kg / lb - mm / inch

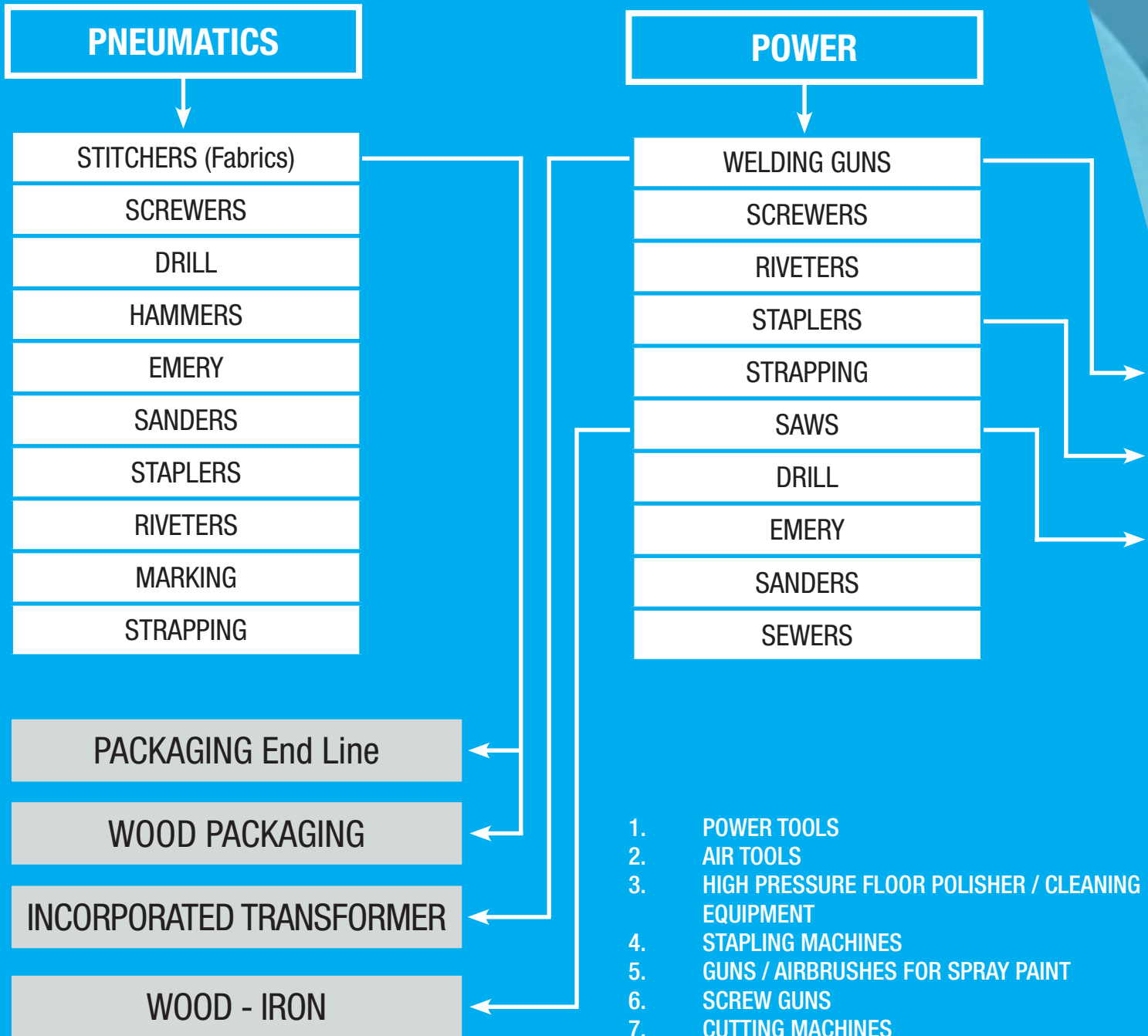
	G	NY	AX	ESD	IL RL						
						Kg	lb	mm	inch	Kg	lb
9300		NY				0,2÷0,5	0,44÷1,1	1600	62,99	0,43	0,95
9301		NY				0,4÷1	0,88÷2,20	1600	62,99	0,46	1,01
9302		NY				1÷2	2,20÷4,41	1600	62,99	0,49	1,08
9303		NY				2÷3	4,41÷6,61	1600	62,99	0,64	1,41
9310		NY	AX	ESD	IL	0,2÷0,5	0,44÷1,1	1600	62,99	0,55	1,21
9311		NY	AX	ESD	IL	0,4÷1	0,88÷2,20	1600	62,99	0,57	1,26
9312		NY	AX	ESD	IL	1÷2	2,20÷4,41	1600	62,99	0,60	1,32
9313		NY	AX	ESD	IL	2÷3	4,41÷6,61	1600	62,99	0,74	1,63
9320		NY	AX	ESD	IL	1÷2,5	2,20÷5,51	2000	78,74	1,67	3,68
9321		NY	AX	ESD	IL	2÷4	4,41÷8,82	2000	78,74	1,90	4,19
9322		NY	AX	ESD	IL	4÷6	8,82÷13,23	2000	78,74	1,98	4,37
9323		NY	AX	ESD	IL	6÷8	13,23÷17,63	2000	78,74	2,28	5,03
9336L		NY	AX	ESD	IL	0,5÷2	1,1÷4,41	2500	98,43	3,14	6,92
9336		NY	AX	ESD	IL	2÷4	4,41÷8,82	2500	98,43	3,14	6,92
9337		NY	AX	ESD	IL	4÷6	8,82÷13,23	2500	98,43	3,30	7,28
9338		NY	AX	ESD	IL	6÷8	13,23÷17,63	2500	98,43	3,36	7,41
9339		NY	AX	ESD	IL	8÷10	17,63÷22,05	2500	98,43	3,43	7,56
9340		NY	AX	ESD	IL	10÷14	22,05÷30,86	2500	98,43	3,58	7,89
9346L		NY	AX	ESD	IL	0,5÷2	1,1÷4,41	2500	98,43	3,14	6,92
9346		NY	AX	ESD	IL	2÷4	4,41÷8,82	2500	98,43	3,14	6,92
9347		NY	AX	ESD	IL	4÷6	8,82÷13,23	2500	98,43	3,32	7,32
9348		NY	AX	ESD	IL	6÷8	13,23÷17,63	2500	98,43	3,38	7,45
9349		NY	AX	ESD	IL	8÷10	17,63÷22,05	2500	98,43	3,48	7,67
9350		NY	AX	ESD	IL	10÷14	22,05÷30,86	2500	98,43	3,62	7,98
9354	G		AX	ESD	RL	4÷7	8,82÷15,43	2000	78,74	4,94	10,89
9355	G		AX	ESD	RL	7÷10	15,43÷22,05	2000	78,74	5,30	11,68
9356	G		AX	ESD	RL	10÷14	22,05÷30,86	2000	78,74	5,67	12,5
9357	G		AX	ESD	RL	14÷18	30,86÷39,68	2000	78,74	6,26	13,8
9358	G		AX	ESD	RL	18÷22	39,68÷48,50	2000	78,74	5,89	12,99
9359	G		AX	ESD	RL	22÷25	48,50÷55,12	2000	78,74	6,53	14,4
9361	G				RL	10÷15	22,05÷33,07	2000	78,74	9,91	21,85
9362	G				RL	15÷20	33,07÷44,10	2000	78,74	10,20	22,49
9363	G				RL	20÷25	44,10÷55,12	2000	78,74	10,48	23,1
9364	G				RL	25÷30	55,12÷66,14	2000	78,74	11,32	24,96
9365	G				RL	30÷35	66,14÷77,16	2000	78,74	11,32	24,96
9366	G				RL	35÷45	77,16÷99,21	2000	78,74	12,21	26,92
9367	G				RL	45÷55	99,21÷121,25	2000	78,74	12,21	26,92
9368	G				RL	55÷65	121,25÷143,3	2000	78,74	13,06	28,79
9369	G				RL	65÷75	143,3÷165,35	2000	78,74	13,86	30,56
9370	G					75÷90	165,35÷198,42	2000	78,74	16,84	37,13
9371	G					90÷105	198,42÷231,49	2000	78,74	17,77	39,18
9401	G				RL	15÷20	33,07÷44,10	2500	98,43	19,67	43,36
9402	G				RL	20÷30	44,10÷66,14	2500	98,43	21,11	46,54
9403	G				RL	30÷40	66,14÷88,18	2500	98,43	21,11	46,54
9404	G				RL	40÷50	88,18÷110,23	2500	98,43	22,03	48,57
9405	G				RL	50÷60	110,23÷132,28	2500	98,43	23,07	50,86

ITEM

kg / lb - mm / inch

G	NY	AX	ESD	IL RL	Kg	lb	mm	inch	Kg	lb	
9431	G			RL	15÷20	33,07÷44,10	3000	118,11	19,67	43,36	
9432	G			RL	20÷25	44,10÷55,12	3000	118,11	19,67	43,36	
9433	G			RL	25÷35	55,12÷77,16	3000	118,11	21,11	46,54	
9411	G			RL	60÷70	132,28÷132,28	2500	98,43	25,56	56,35	
9412	G			RL	70÷80	132,28÷176,37	2500	98,43	26,75	58,97	
9413	G			RL	80÷90	176,37÷198,42	2500	98,43	27,90	61,51	
9414	G			RL	90÷100	198,42÷220,46	2500	98,43	28,46	62,74	
9434	G			RL	35÷45	77,16÷99,21	3000	118,11	24,46	53,93	
9435	G			RL	40÷50	88,18÷110,23	3000	118,11	23,65	52,14	
9436	G			RL	50÷60	110,23÷132,28	3000	118,11	24,69	54,43	
9441	G			RL	60÷70	132,28÷132,28	3000	118,11	25,56	56,35	
9442	G			RL	70÷80	132,28÷176,37	3000	118,11	26,75	58,97	
9443	G			RL	80÷90	176,37÷198,42	3000	118,11	27,90	61,51	
9444	G			RL	80÷100	176,37÷220,46	3000	118,11	28,46	62,74	
9422	G			RL	100÷120	220,46÷264,56	2500	98,43	36,61	80,73	
9423	G			RL	120÷140	264,56÷308,65	2500	98,43	38,51	84,9	
9424	G			RL	130÷150	308,65÷330,69	2500	98,43	38,83	85,61	
9425	G			RL	140÷160	330,69÷352,74	2500	98,43	40,90	90,17	
9426	G			RL	160÷180	352,74÷396,83	2500	98,43	43,20	95,24	
9451	G			RL	100÷115	220,46÷253,53	3000	118,11	36,61	80,71	
9452	G			RL	115÷130	253,53÷308,65	3000	118,11	36,77	81,06	
9453	G			RL	130÷140	308,65÷330,69	3000	118,11	38,51	84,9	
9454	G			RL	140÷150	330,69÷330,69	3000	118,11	38,83	85,61	
9455	G			RL	150÷160	330,69÷352,74	3000	118,11	40,90	90,17	
9456	G			RL	160÷180	352,74÷396,83	3000	118,11	43,20	95,24	
9502			AX	ESD	RL	20÷30	44,10÷66,14	2100	82,68	12,60	27,78
9503			AX	ESD	RL	30÷40	66,14÷88,18	2100	82,68	15,20	33,51
9504			AX	ESD	RL	40÷50	88,18÷110,23	2100	82,68	15,50	34,17
9505			AX	ESD	RL	50÷60	110,23÷132,28	2100	82,68	16,70	36,82
9506			AX	ESD	RL	60÷70	132,28÷132,28	2100	82,68	15,50	34,17
9507			AX	ESD	RL	70÷80	132,28÷176,37	2100	82,68	17,70	39,02
9508			AX	ESD	RL	80÷90	176,37÷198,42	2100	82,68	16,20	35,71
9509			AX	ESD	RL	80÷100	176,37÷220,46	2100	82,68	16,80	37,04
9520			AX	ESD	RL	12÷20	26,46÷44,10	2700	106,3	12,80	28,22
9521			AX	ESD	RL	20÷30	44,10÷66,14	2700	106,3	12,60	27,78
9522			AX	ESD	RL	30÷40	66,14÷88,18	2700	106,3	15,80	34,83
9523			AX	ESD	RL	40÷50	88,18÷110,23	2700	106,3	15,40	33,95
9524			AX	ESD	RL	50÷60	110,23÷132,28	2700	106,3	16,60	36,6
9525			AX	ESD	RL	60÷70	132,28÷132,28	2700	106,3	15,70	34,61
9200						0,4÷0,8	0,88÷1,76	1350	53,15	1,10	2,43
9201						0,75÷1,5	1,65÷3,31	1350	53,15	1,10	2,43
9202						1,2÷2,5	2,65÷5,51	1350	53,15	1,30	2,87
9203						3÷5	6,61÷11,02	900	35,43	1,30	2,87

APPLICATION LIST



PNEUMATICS

STITCHERS (Fabrics)

SCREWERS

DRILL

HAMMERS

EMERY

SANDERS

STAPLERS

RIVETERS

MARKING

STRAPPING

PACKAGING End Line

WOOD PACKAGING

INCORPORATED TRANSFORMER

WOOD - IRON

POWER

WELDING GUNS

SCREWERS

RIVETERS

STAPLERS

STRAPPING

SAWS

DRILL

EMERY

SANDERS

SEWERS

1. POWER TOOLS
2. AIR TOOLS
3. HIGH PRESSURE FLOOR POLISHER / CLEANING EQUIPMENT
4. STAPLING MACHINES
5. GUNS / AIRBRUSHES FOR SPRAY PAINT
6. SCREW GUNS
7. CUTTING MACHINES
8. NAILING MACHINES
9. TYING TOOLS FOR CABLES
10. SOLDERING IRONS
11. MARKER MACHINES
12. RIVETERS
13. STRAPPING
14. BOTTLING MACHINES
15. SHEET WELDING MACHINES
16. PUSH-BUTTON PANELS FOR CRANES
17. SUCTION SYSTEMS
18. EXHAUST GAS / COMBUSTION HOSES
19. ADJUSTABLE ARMS
20. ROBOT SUPPLY CABLES
21. X-RAY TOOLS & MEDICAL EQUIPMENT
22. ROBOT FOR DIMENSIONAL CONTROL

HYDRAULIC

RIVETERS

CLINCIATRICI

HYDRAULIC WRENCHES

SEPARATE TRANSFORMER

PACKING CARTONS

SLAUGHTER

SPECIAL APPLICATIONS

IRONS

VACUUM CLEANERS

SPORTS TOOLS

CLOSE DOOR

CABLE GUIDE

FUEL PUMPS

GARDENING

LEATHER PROCESSING

EV CHARGING STATIONS

FOOD&MEAT PROCESSING

ROBOTICS & AUTOMATION

LOGISTICS

TANK WASHING

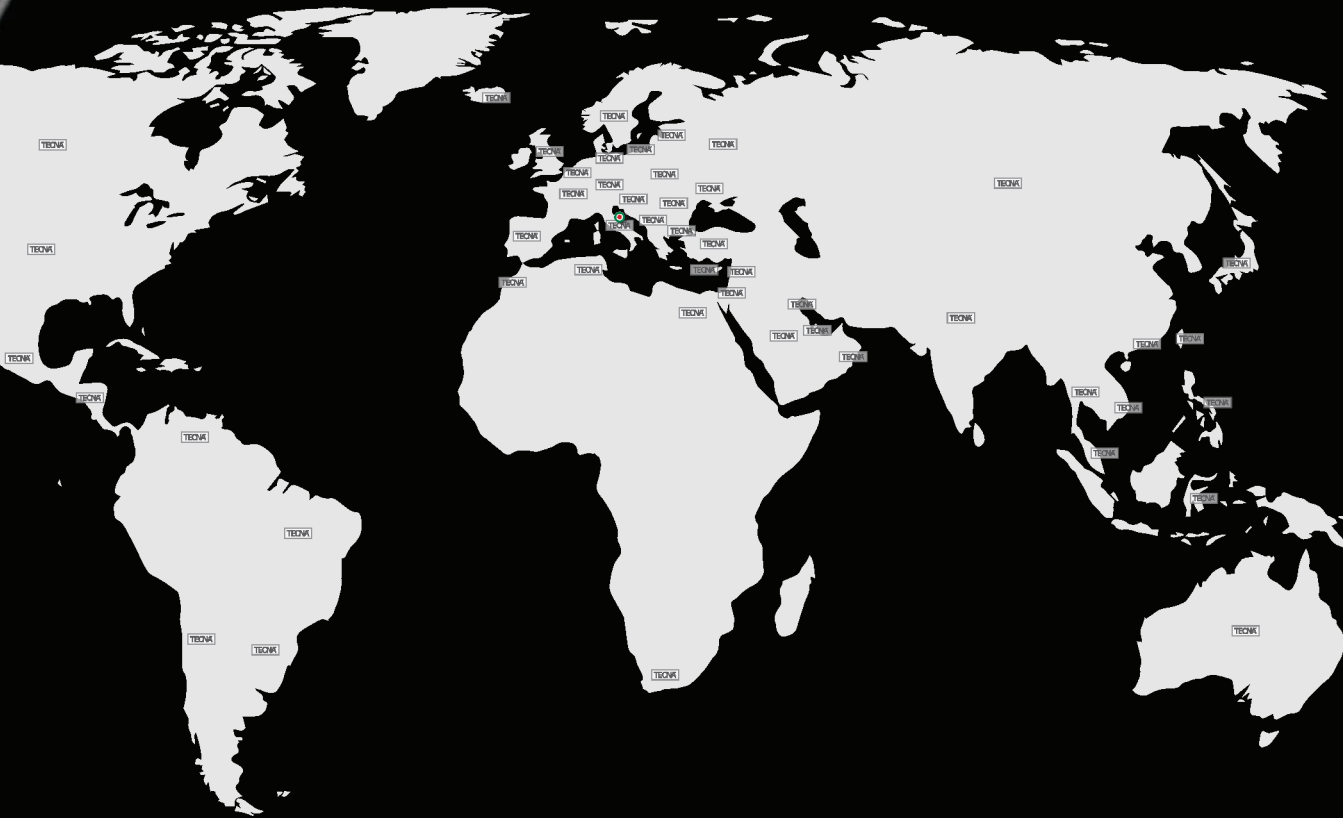
23. TOOLS FOR SLAUGHTERHOUSES
24. TOOLS FOR WORKING THE ROCKS
25. CONVEYOR BELTS AND RAILS
26. POWER SUPPLY BUSBARS
27. TOOLS FOR WORKING WOOD
28. SUBMERSIBLE PUMPS AND STIRRERS
29. INDUSTRIAL SEWING MACHINES
30. TOOLS FOR PACKING
31. WELDING GUNS
32. WELDING JIGS
33. CALLIPERS FOR HOLES AND MICROMETERS
34. CABLE HOLDER IN ELECTRIC CABINS
35. MONITOR SUSPENSION
36. PIPES FOR PETROL PUMPS
37. HOSES FOR GAS PUMPS
38. FILLING MACHINES FOR THE FOOD INDUSTRY
39. SUSPENSION OF EQUIPMENT FOR LEATHER PROCESSING
40. ELECTRICAL AND PNEUMATIC STAPLERS
41. AIRBRUSHES AND GUNS FOR PAINTING
42. RIVETERS
43. PHOTOGRAPHY/CINEMA/THEATRE
44. REHAB EQUIPMENT

... for all kind
of tools

TECNA Balancers Lines



*Precision Tailored for Every Work Environment
Elevate Your Efficiency Across Industries!*



TECNA[®]
Resistance Welding Systems & Balancers



Via Meucci, 27
40024 - Castel San Pietro Terme (BO)
Italy
Tel. +39 051 695 4411
Fax +39 051 654 4490
vendite@tecna.net
sales@tecna.net



www.tecna.net

Fabbricato in Italia