

9361RL÷9369RL

9401RL÷9456RL



***OPTION B1**

*This option is feasible when placing a new order while it is not possible to assemble this device on balancers already installed.

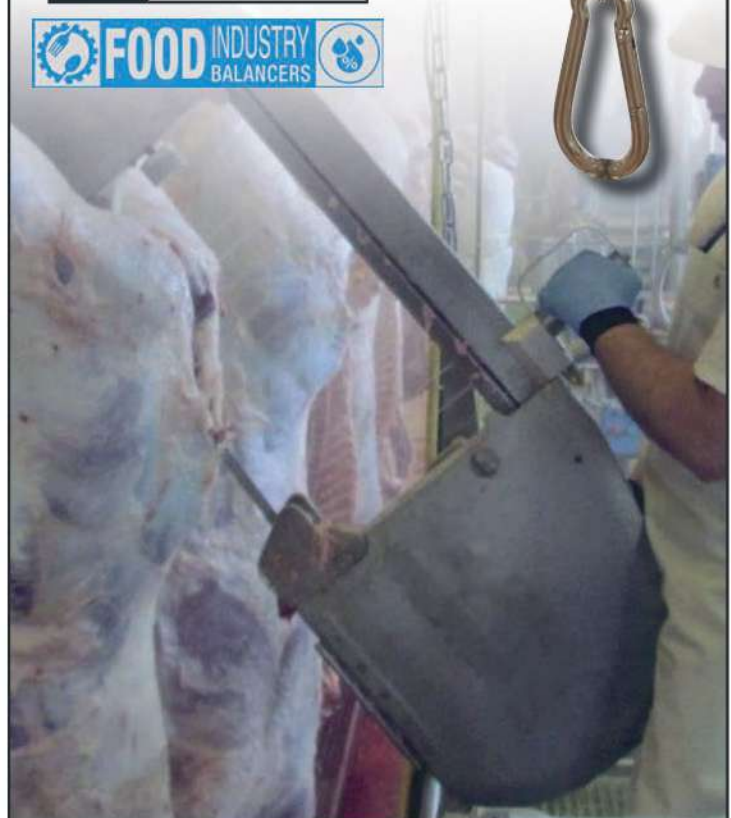
	2000 mm
	10÷75 kg



***OPTION B1**

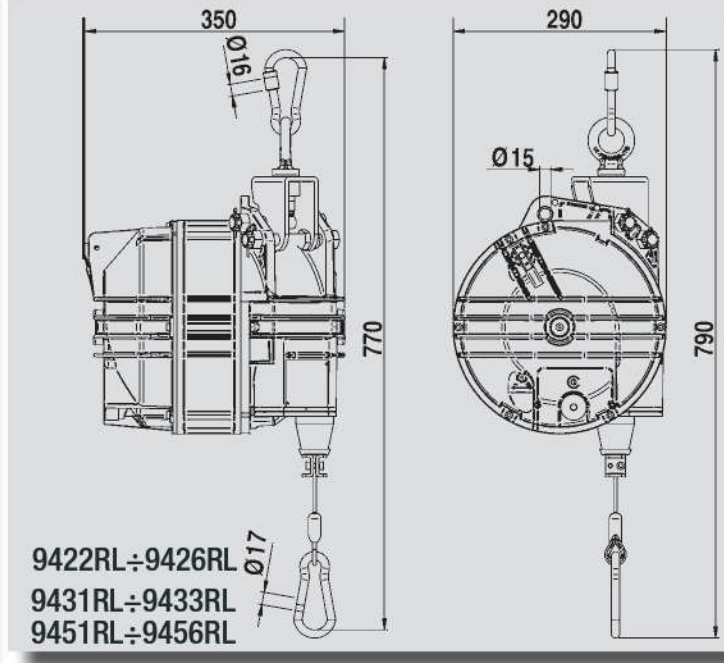
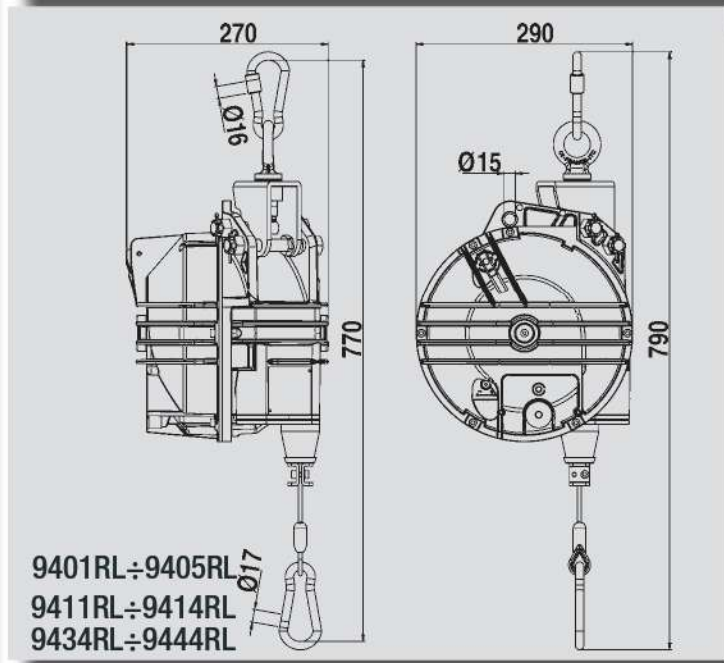
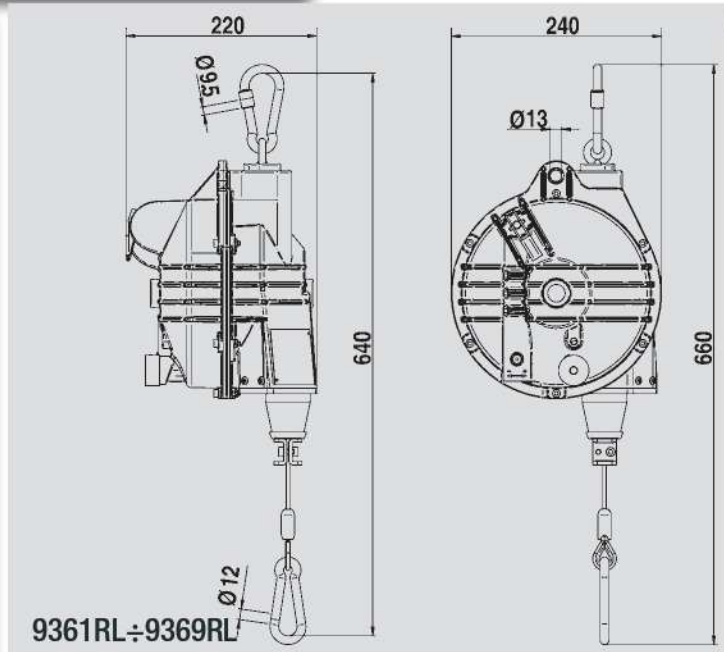
*This option is feasible when placing a new order while it is not possible to assemble this device on balancers already installed.

	2500 mm
	3000 mm
	15÷180 kg



BALANCERS TECHNICAL FEATURES

9361RL*	10÷15 kg	2000 mm
9362RL*	15÷20 kg	2000 mm
9363RL*	20÷25 kg	2000 mm
9364RL*	25÷30 kg	2000 mm
9365RL*	30÷35 kg	2000 mm
9366RL*	35÷45 kg	2000 mm
9367RL*	45÷55 kg	2000 mm
9368RL*	55÷65 kg	2000 mm
9369RL*	65÷75 kg	2000 mm
9401RL*	15÷20 kg	2500 mm
9402RL*	20÷30 kg	2500 mm
9403RL*	30÷40 kg	2500 mm
9404RL*	40÷50 kg	2500 mm
9405RL*	50÷60 kg	2500 mm
9411RL*	60÷70 kg	2500 mm
9412RL*	70÷80 kg	2500 mm
9413RL*	80÷90 kg	2500 mm
9414RL*	90÷100 kg	2500 mm
9422RL*	100÷120 kg	2500 mm
9423RL*	120÷140 kg	2500 mm
9424RL*	130÷150 kg	2500 mm
9425RL*	140÷160 kg	2500 mm
9426RL*	160÷180 kg	2500 mm
9431RL*	15÷20 kg	3000 mm
9432RL*	20÷25 kg	3000 mm
9433RL*	25÷35 kg	3000 mm
9434RL*	35÷45 kg	3000 mm
9435RL*	40÷50 kg	3000 mm
9436RL*	50÷60 kg	3000 mm
9441RL*	60÷70 kg	3000 mm
9442RL*	70÷80 kg	3000 mm
9443RL*	80÷90 kg	3000 mm
9444RL*	80÷100 kg	3000 mm
9451RL*	100÷115 kg	3000 mm
9452RL*	115÷130 kg	3000 mm
9453RL*	130÷140 kg	3000 mm
9454RL*	140÷150 kg	3000 mm
9455RL*	150÷160 kg	3000 mm
9456RL*	160÷180 kg	3000 mm



* Centrifugal Safety Device