

9336LIL÷9340IL

9346LIL÷9350IL



STOP



	2500 mm
	0,5÷14 kg

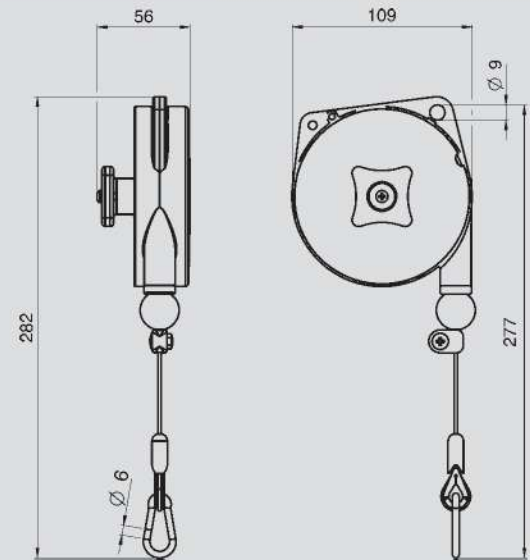
	2500 mm
	0,5÷14 kg



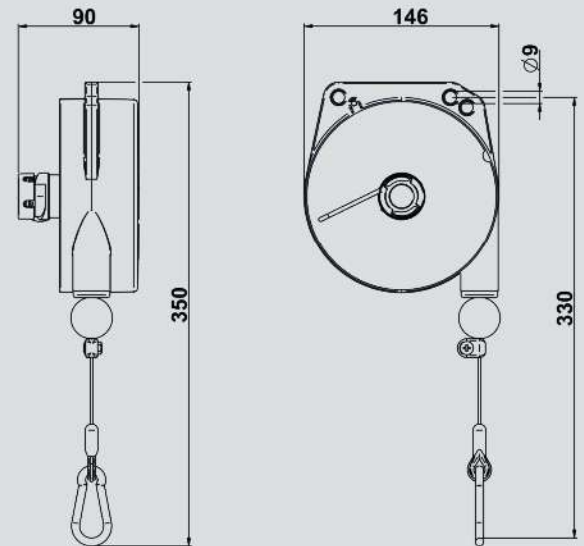
BALANCERS TECHNICAL FEATURES

		
9310IL	0,2÷0,5 kg	1600 mm
9311IL	0,4÷1,0kg	1600 mm
9312IL	1,0÷2,0 kg	1600 mm
9313IL	2,0÷3,0 kg	1600 mm
9320IL	1,0÷2,5 kg	2000 mm
9321IL	2,0÷4,0 kg	2000 mm
9322IL	4,0÷6,0 kg	2000 mm
9323IL	6,0÷8,0 kg	2000 mm
9336LIL	0,5÷2,0 kg	2500 mm
9336IL	2,0÷4,0 kg	2500 mm
9337IL	4,0÷6,0 kg	2500 mm
9338IL	6,0÷8,0 kg	2500 mm
9339IL	8,0÷10 kg	2500 mm
9340IL	10÷14 kg	2500 mm
*9346LIL	0,5÷2,0 kg	2500 mm
*9346IL	2,0÷4,0 kg	2500 mm
*9347IL	4,0÷6,0 kg	2500 mm
*9348IL	6,0÷8,0 kg	2500 mm
*9349IL	8,0÷10 kg	2500 mm
*9350IL	10÷14 kg	2500 mm

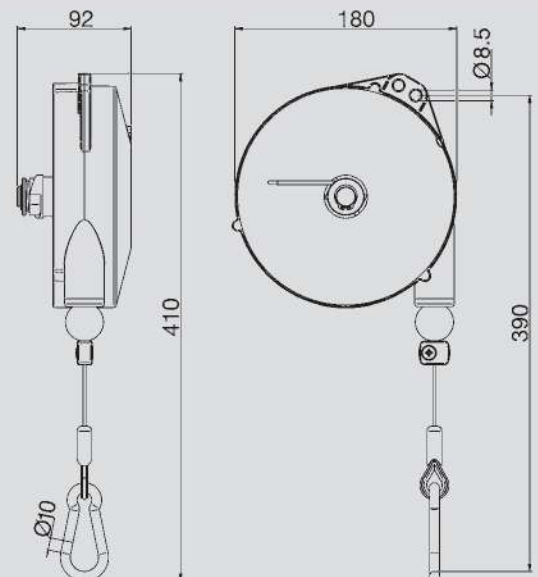
* STOP device



9310IL÷9313IL



9320IL÷9323IL



9336LIL÷9350IL