

9310IL÷9313IL

9320IL÷9323IL



| | |
|--|----------|
|  | 1600 mm |
|  | 0,2÷3 kg |



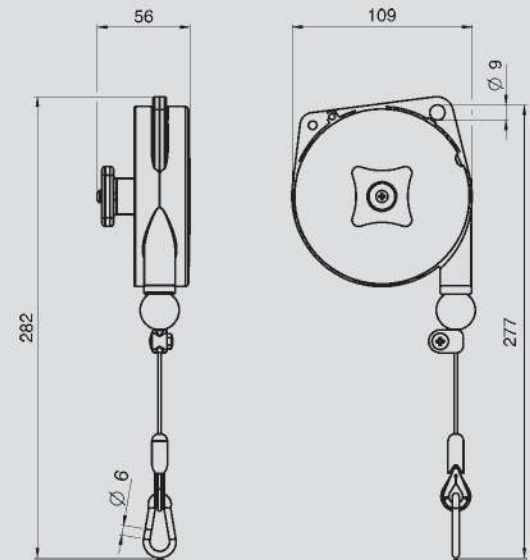
| | |
|---|---------|
|  | 2000 mm |
|  | 1÷8 kg |



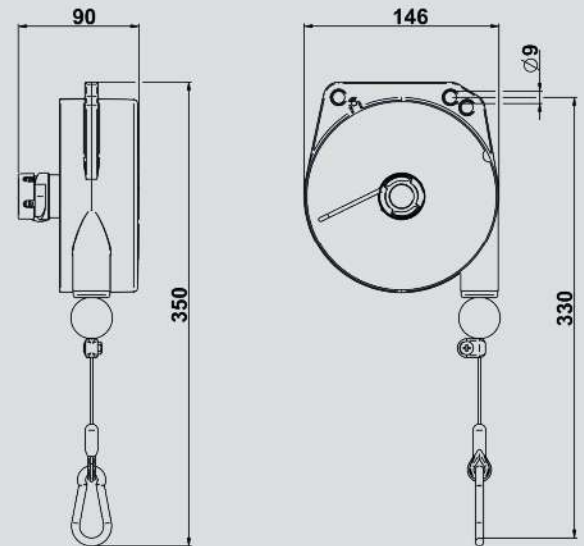
BALANCERS TECHNICAL FEATURES

|  |  |  |
|--|---|---|
| 9310IL | 0,2÷0,5 kg | 1600 mm |
| 9311IL | 0,4÷1,0kg | 1600 mm |
| 9312IL | 1,0÷2,0 kg | 1600 mm |
| 9313IL | 2,0÷3,0 kg | 1600 mm |
| 9320IL | 1,0÷2,5 kg | 2000 mm |
| 9321IL | 2,0÷4,0 kg | 2000 mm |
| 9322IL | 4,0÷6,0 kg | 2000 mm |
| 9323IL | 6,0÷8,0 kg | 2000 mm |
| 9336LIL | 0,5÷2,0 kg | 2500 mm |
| 9336IL | 2,0÷4,0 kg | 2500 mm |
| 9337IL | 4,0÷6,0 kg | 2500 mm |
| 9338IL | 6,0÷8,0 kg | 2500 mm |
| 9339IL | 8,0÷10 kg | 2500 mm |
| 9340IL | 10÷14 kg | 2500 mm |
| *9346LIL | 0,5÷2,0 kg | 2500 mm |
| *9346IL | 2,0÷4,0 kg | 2500 mm |
| *9347IL | 4,0÷6,0 kg | 2500 mm |
| *9348IL | 6,0÷8,0 kg | 2500 mm |
| *9349IL | 8,0÷10 kg | 2500 mm |
| *9350IL | 10÷14 kg | 2500 mm |

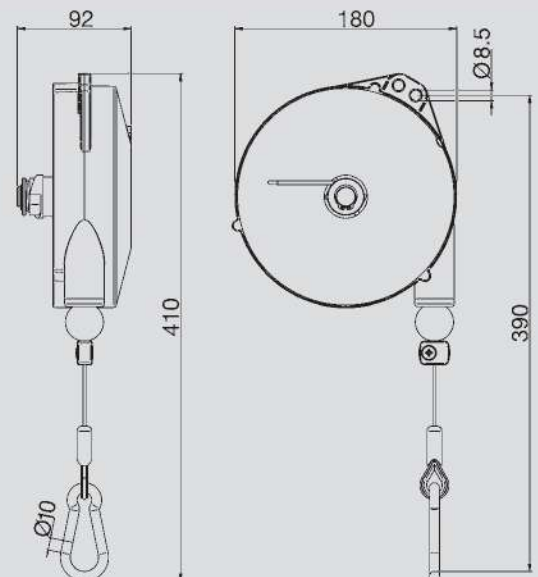
* STOP device



9310IL÷9313IL



9320IL÷9323IL



9336LIL÷9350IL