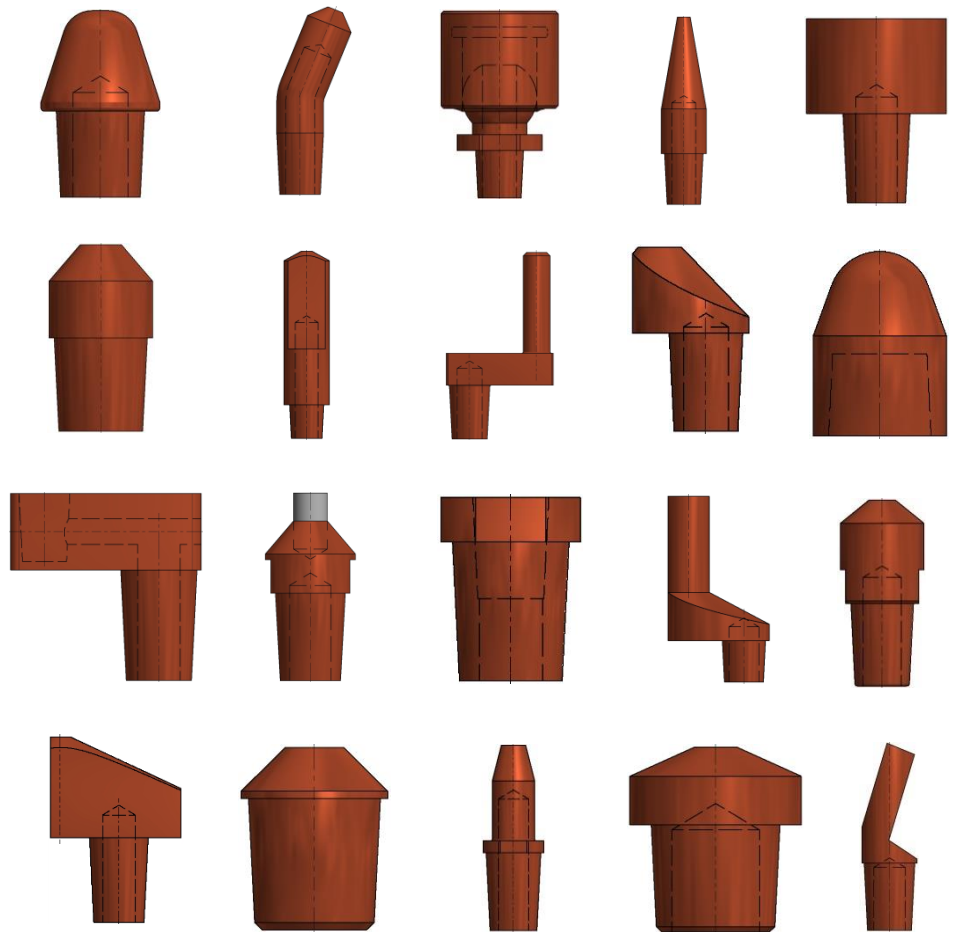


# ELECTRODES AND ACCESSORIES FOR SPOT WELDING



**ATS**  
bet on us

UNI EN ISO 9001:2015 Reg.3023-A Quality System Certified Company

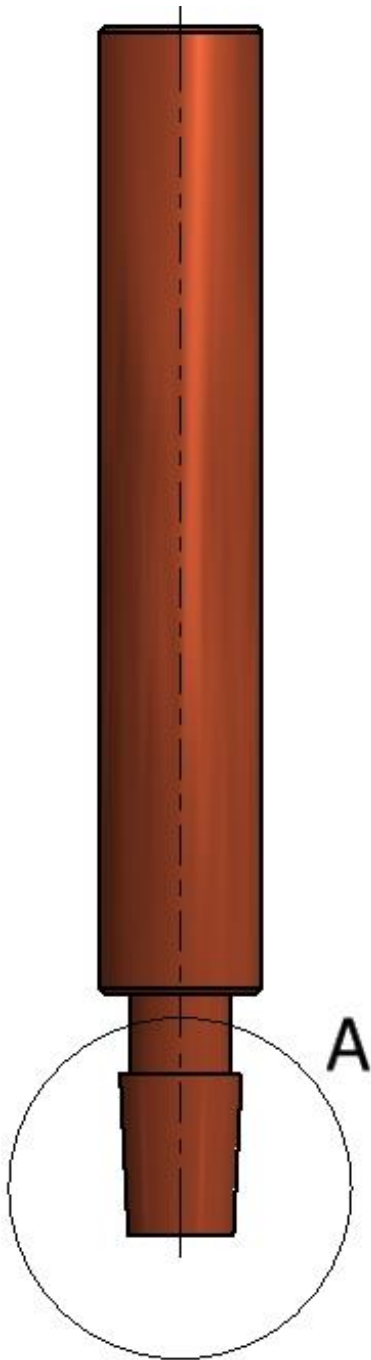


# INDEX

- Electrode Conicity Table ..... Pag. 4
- Electrodes Caps ..... Pag. 5
- Electrodes Tips ..... Pag. 6
- Electrode Cone 9 Conicity 10% ..... Pag. 7
- Electrode Cone 12 Conicity 10% ..... Pag. 8/9/10/11
- Electrode Cone 18 Conicity 10% ..... Pag. 12/13
- Electrodes Cone 36 ..... Pag. 14
- Electrodes Cone 37 ..... Pag. 15
- Electrodes Cone 38 ..... Pag. 16
- Electrodes Cone 87 ..... Pag. 17
- Electrodes For Projection Studs Welding D.20 cone 12-18-36.....Pag. 18
- Electrodes For Projection Studs Welding D.20 cone 37-38-87 ..... Pag. 19
- Electrodes for Projection Nuts Welding..... Pag. 20
- Electrodes With Spring for Nuts Welding..... Pag. 21
- Candles Electrodes-Holders D.16-18-19 ..... Pag. 22
- Candles Electrodes-Holders D.20-21 ..... Pag. 23
- Candles Electrodes-Holders D.22 ..... Pag. 24
- Candles Electrodes-Holders D.25 ..... Pag. 25

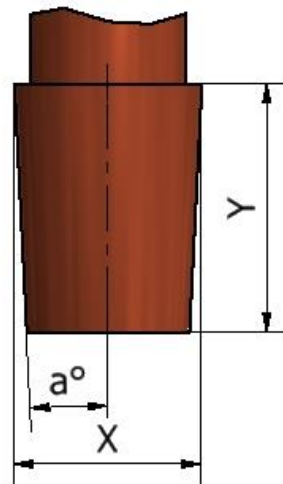
# INDEX

- Candles Electrodes-Holders D.28-30 ..... Pag. 26
- Candles Electrodes-Holders D.32-35-36-40 ..... Pag. 27
- Adaptations..... Pag. 28
- Extensions and Candles Electrodes-Holders for Set Screw ..... Pag. 29
- Arms..... Pag. 30
- Universal Arms With Candle, Head and Support..... Pag. 31
- Heads PN4 and 2151 .....Pag. 32
- Heads 3231, Head Electrodes and Electrode Holders..... Pag. 33
- Arm With Electrodes Holder and Ferrules, Half Rings, Clamping Nut..... Pag. 34
- Knife Electrode and Electrode Holder ..... Pag. 35
- Electrode holder ..... Pag. 36
- Foot de Biche Cone 9-12-18 ..... Pag. 37
- Disks for Roller Welding Machines ..... Pag. 38
- Electrode-Holder Dowel ..... Pag. 39
- Air-Cooled Flexible Busbars ..... Pag. 40
- Water-Cooled Flexible Busbars..... Pag. 41
- Flexible Copper Shunts..... Pag. 42



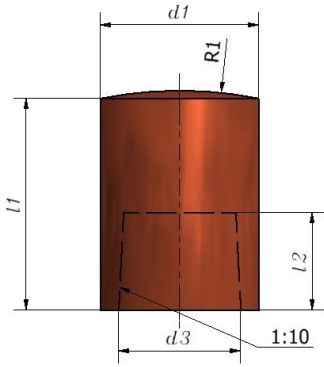
CONE	a°	X	Y
9	2°52'	9	12
10	2°52'	10	10
12	2°52'	12	16
	2°52'	15,75	25
16	2°52'	16	25
18	2°52'	18	22
24	2°52'	24	
MK1	1°25'43"	12,065	21
MK2	1°25'50"	17,78	26
MK3	1°26'16"	23,825	35
36	2°30'	14,8	18
37	2°30'	12,7	18
38	2°30'	10,7	12
87	2°30'	19	32

DETTAGLIO:A

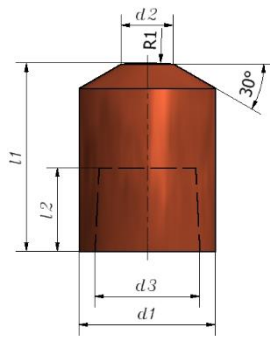


A.T.S. s.r.l. Quality System Certified Company UNI EN ISO 9001:2015 Reg.3023/A

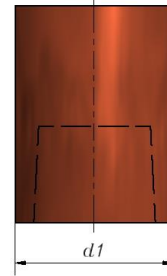
ATS S.r.l is a qualified supplier of standard electrodes or electrodes according to customer specifications for resistance welding with certified alloys



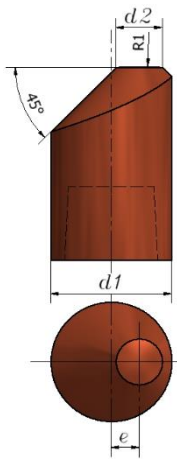
**TYPE A**



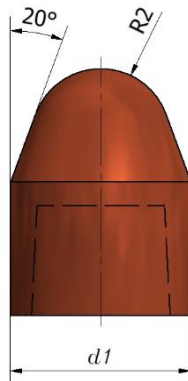
**TYPE B**



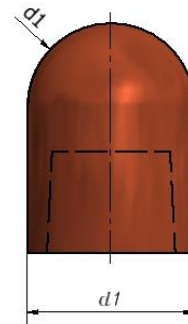
**TYPE C**



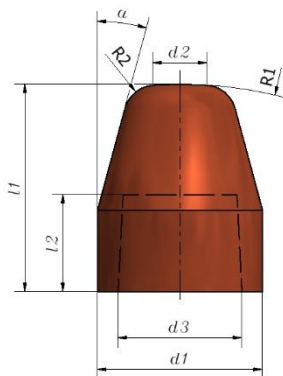
**TYPE D**



**TYPE E**



**TYPE F**

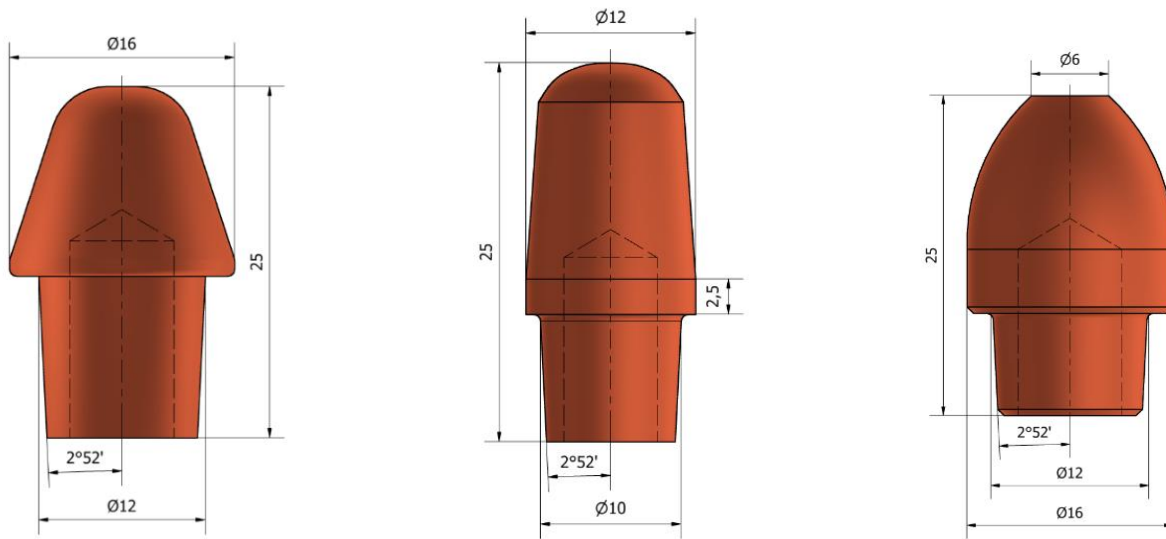


**TYPE G**

d1	d2	d3	l1	l2	+0.5	e	R1	R2	a
h11				0					
13	5	10	18	8		3	32	5	-
16	6	12	20	9,5		4	40	6	15°
20	8	15	22	11,5		5	50	8	22,5°

A.T.S. s.r.l. Quality System Certified Company UNI EN ISO 9001:2015 Reg.3023/A

ATS S.r.l is a qualified supplier of standard electrodes or electrodes according to customer specifications for resistance welding with certified alloys

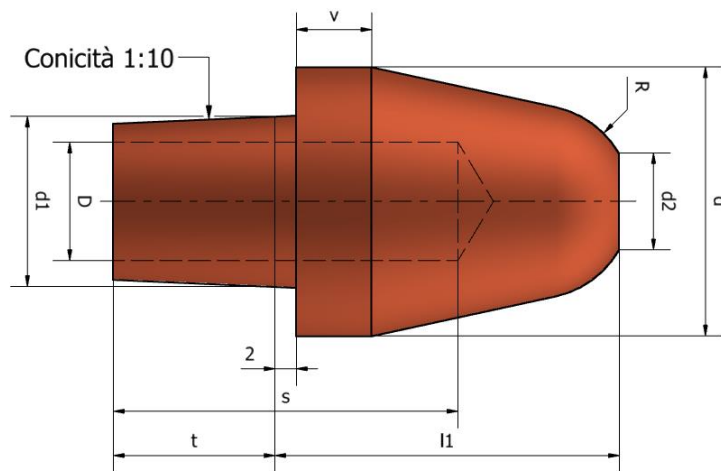


**ATSTIPSC12**

**ATSTIPSC10**

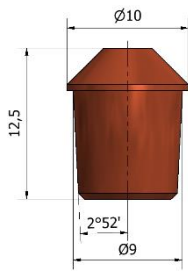
**ATSTIPSC12G16**

Electrode Tips With Flat Top

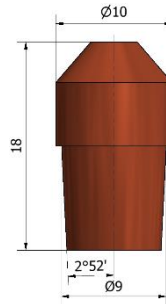


d	d1	d2	CONE	at°	X	Y	9	2°52'	9
12									
<b>2°52'</b>	<b>15,75</b>	<b>25</b>	<b>16</b>	<b>2°52'</b>	<b>16</b>	<b>25</b>	<b>18</b>	<b>2°52'</b>	<b>18</b>
<b>22</b>	<b>24</b>	<b>2°52'</b>	<b>24</b>	<b>39</b>	<b>MK1</b>	<b>1°25'43"</b>	<b>12,065</b>	<b>21</b>	<b>MK2</b>
<b>1°25'50"</b>	<b>17,78</b>	<b>26</b>	<b>MK3</b>	<b>1°26'16"</b>	<b>23,825</b>	<b>35</b>	<b>36</b>	<b>2°30'</b>	

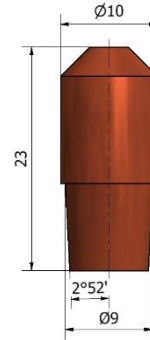
ATS S.r.l is a qualified supplier of standard electrodes or electrodes according to customer specifications for resistance welding with certified alloys



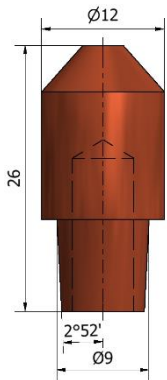
**ATSE098211**



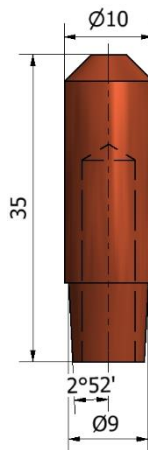
**ATSE098212**



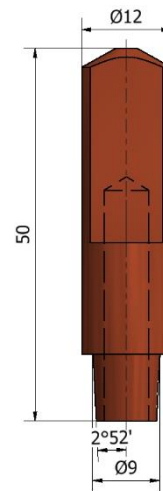
**ATSE098213**



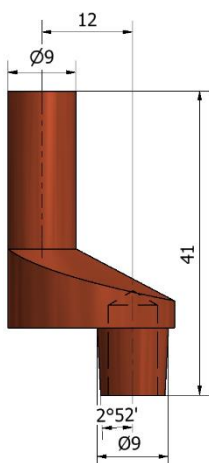
**ATSE098214**



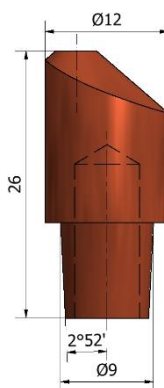
**ATSE098215**



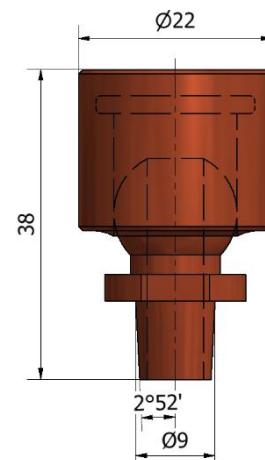
**ATSE098216**



**ATSE098217**



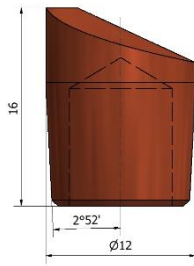
**ATSE098218**



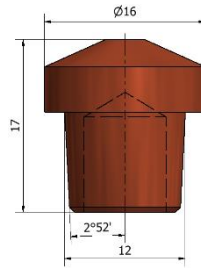
**ATSE098219**

A.T.S. s.r.l. Quality System Certified Company UNI EN ISO 9001:2015 Reg.3023/A

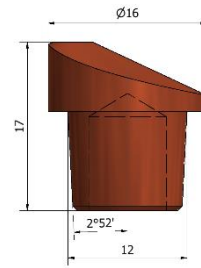
*ATS S.r.l is a qualified supplier of standard electrodes or electrodes according to customer specifications for resistance welding with certified alloys*



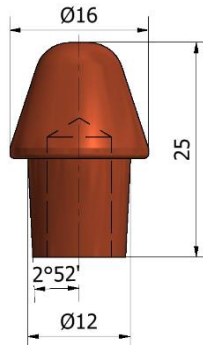
**ATSEG12FC**



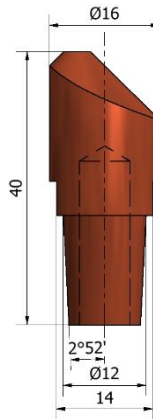
**ATSEG121617**



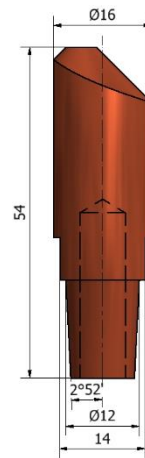
**ATSEG121617FC**



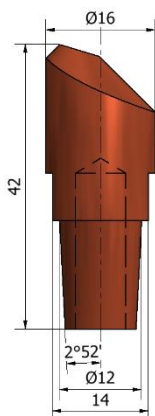
**ATSETIPSC12**



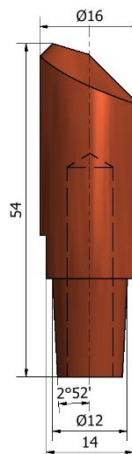
**ATSE128240**



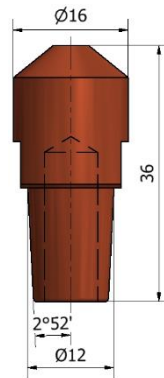
**ATSE128235**



**ATSE128243**



**ATSE128242**

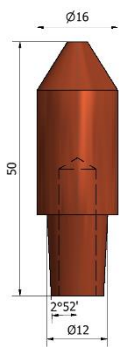


**ATSE128224**

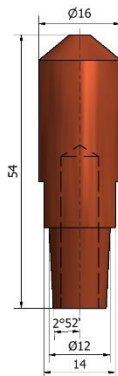
A.T.S. s.r.l. Quality System Certified Company UNI EN ISO 9001:2015 Reg.3023/A

*ATS S.r.l is a qualified supplier of standard electrodes or electrodes according to customer specifications for resistance welding with certified alloys*

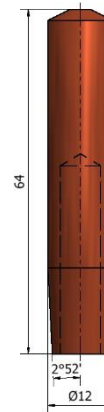




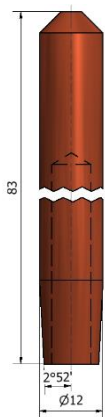
**ATSE128228**



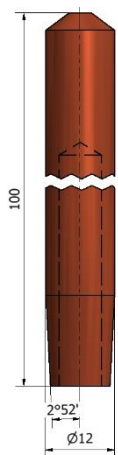
**ATSE128229**



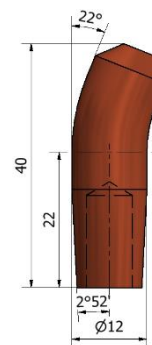
**ATSE128230**



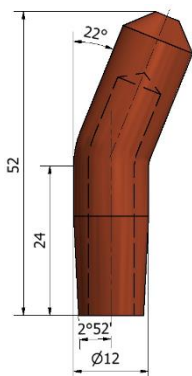
**ATSE128231**



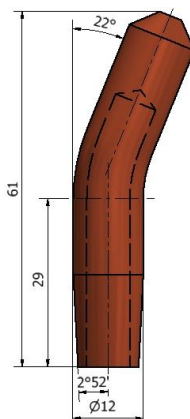
**ATSE128227**



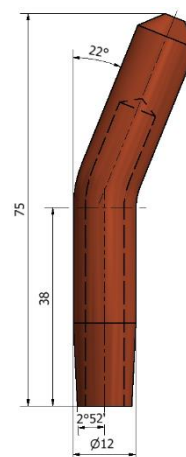
**ATSE128249**



**ATSE128250**



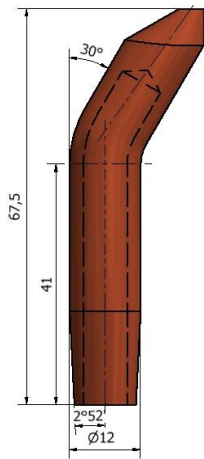
**ATSE128251**



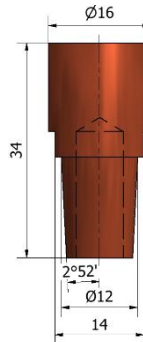
**ATSE128252**

A.T.S. s.r.l. Quality System Certified Company UNI EN ISO 9001:2015 Reg. 3023/A

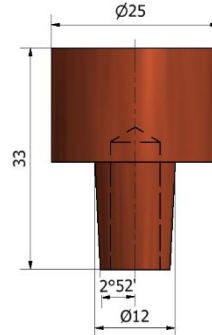
*ATS S.r.l is a qualified supplier of standard electrodes or electrodes according to customer specifications for resistance welding with certified alloys*



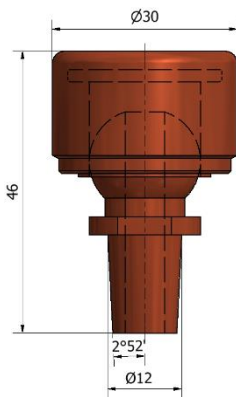
**ATSE128253**



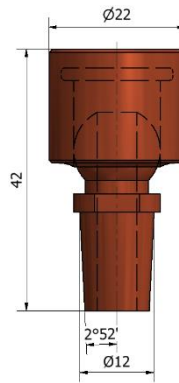
**ATSE128244**



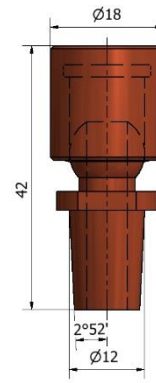
**ATSE128245**



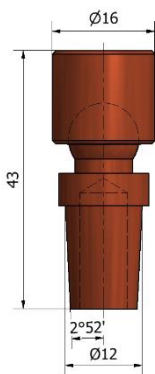
**ATSE128246**



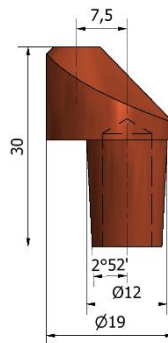
**ATSE128247**



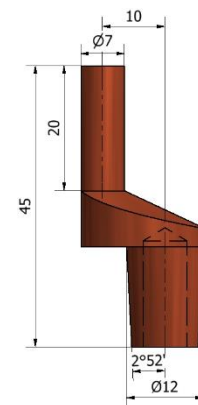
**ATSE12824718**



**ATSE12824716**



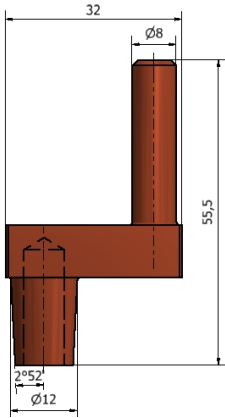
**ATSE128238**



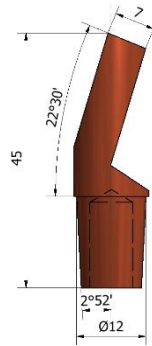
**ATSE128245/2**

A.T.S. s.r.l. Quality System Certified Company UNI EN ISO 9001:2015 Reg. 3023/A

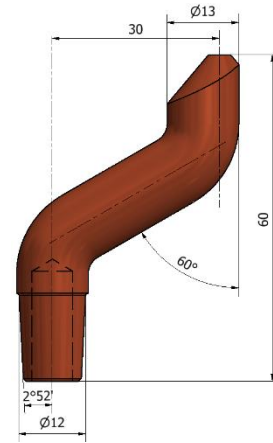
*ATS S.r.l is a qualified supplier of standard electrodes or electrodes according to customer specifications for resistance welding with certified alloys*



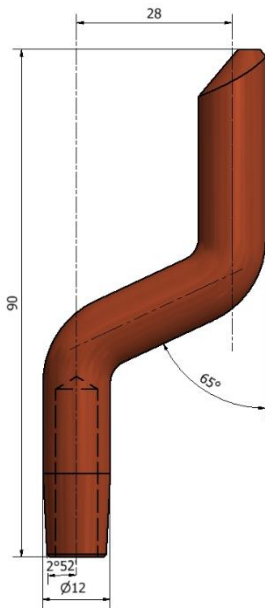
**ATSE128245/3**



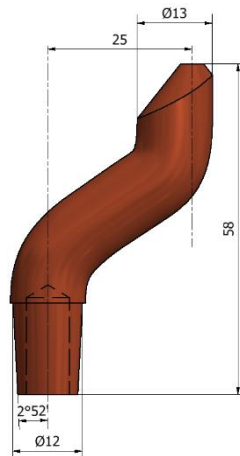
**ATSE128245/4**



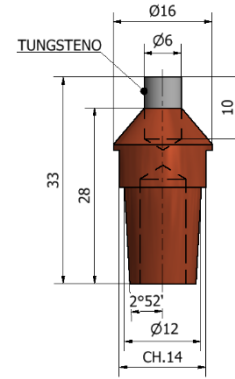
**ATSE128241/2**



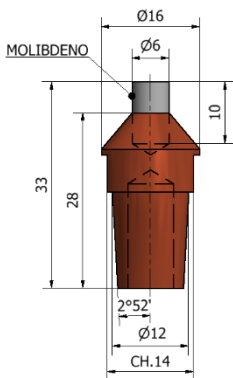
**ATSE128241/3**



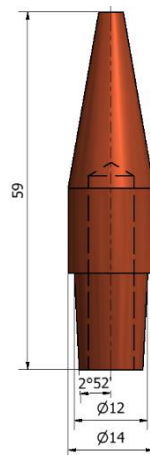
**ATSE128241/4**



**ATSE128232**



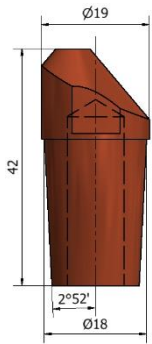
**ATSE128233**



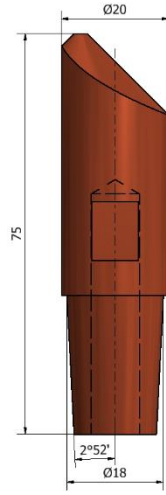
**ATSE1259**

A.T.S. s.r.l. Quality System Certified Company UNI EN ISO 9001:2015 Reg.3023/A

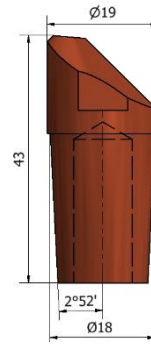
*ATS S.r.l is a qualified supplier of standard electrodes or electrodes according to customer specifications for resistance welding with certified alloys*



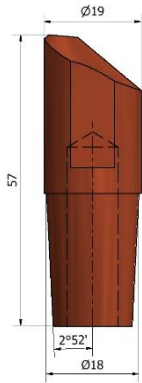
**ATSE188259**



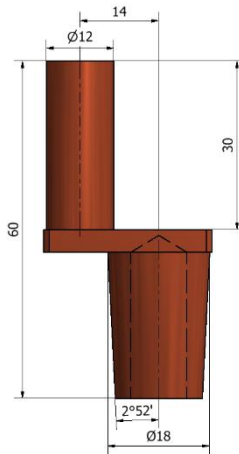
**ATSE188261**



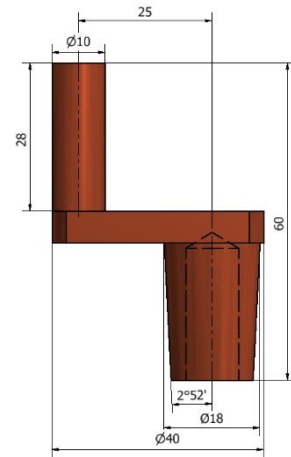
**ATSE188275**



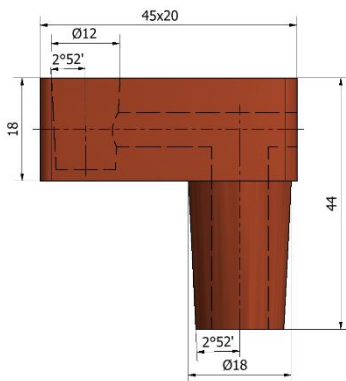
**ATSE188276**



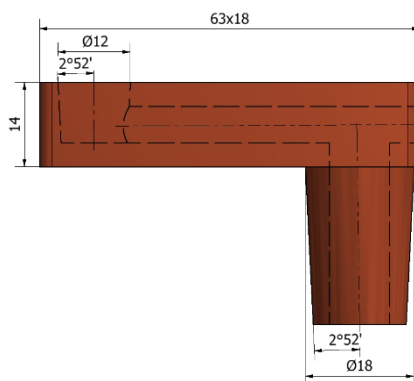
**ATSE188282**



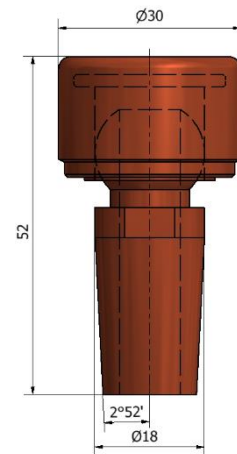
**ATSE188283**



**ATSE188273**

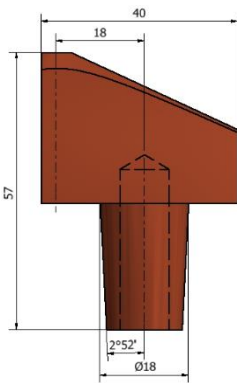


**ATSE188274**

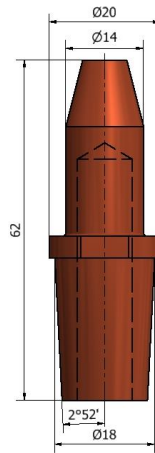


**ATSE188280**

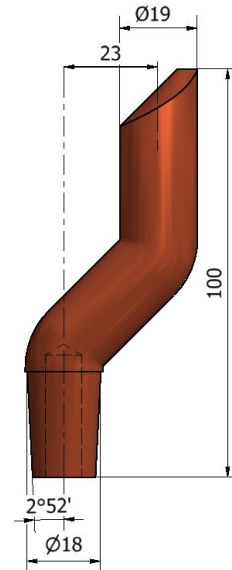
A.T.S. s.r.l. Quality System Certified Company UNI EN ISO 9001:2015 Reg.3023/A



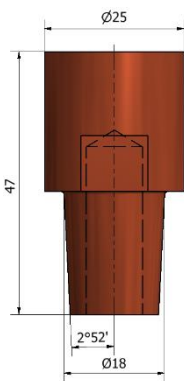
**ATSE188285**



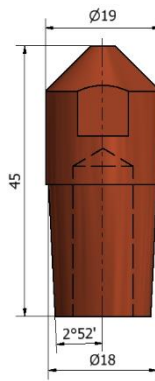
**ATSE188284**



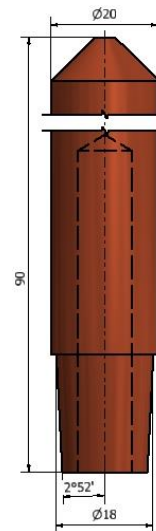
**ATSE188264**



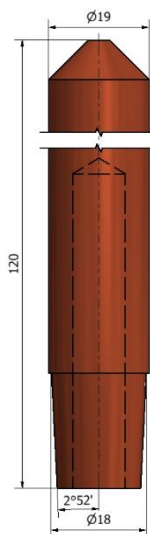
**ATSE188281**



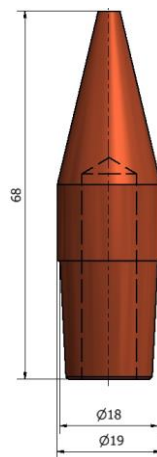
**ATSE188254**



**ATSE188257**



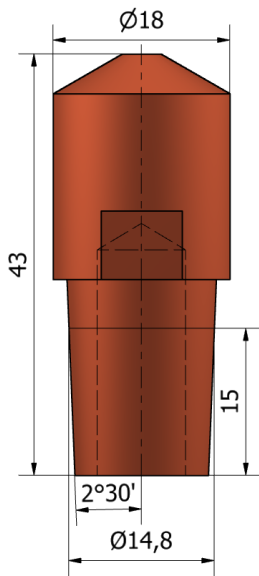
**ATSE188258**



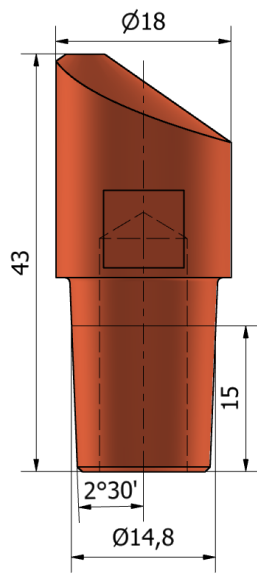
**ATSE1865**

A.T.S. s.r.l. Quality System Certified Company UNI EN ISO 9001:2015 Reg.3023/A

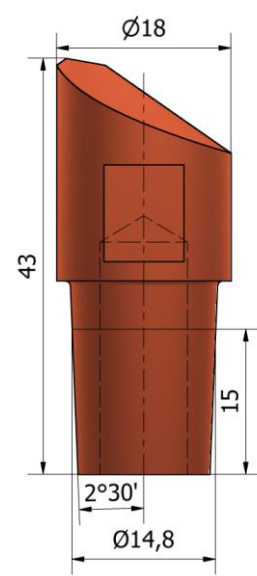
*ATS S.r.l is a qualified supplier of standard electrodes or electrodes according to customer specifications for resistance welding with certified alloys*



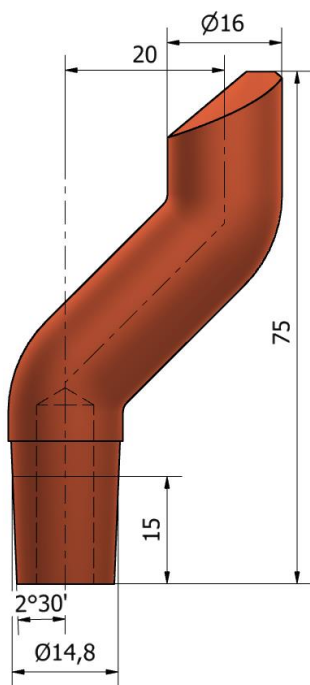
**ATSE3620**



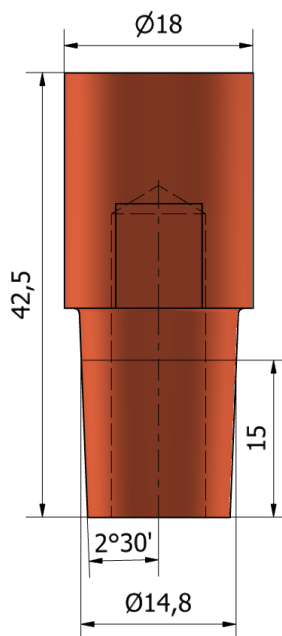
**ATSE3621**



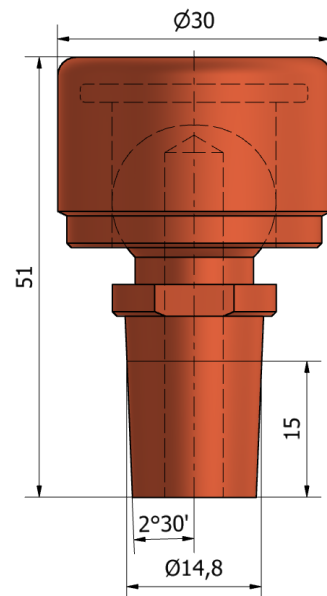
**ATSE3622**



**ATSE3623**



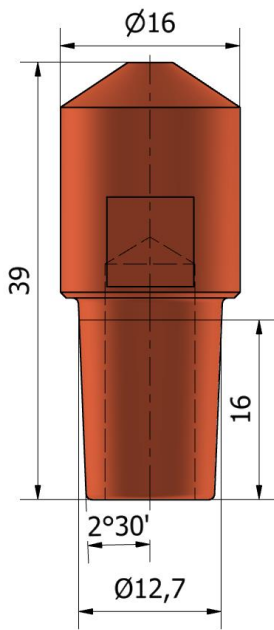
**ATSE3624**



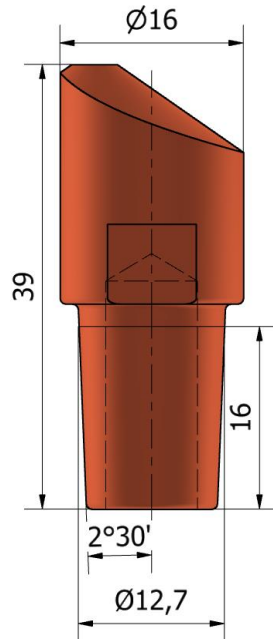
**ATSE3625**

A.T.S. s.r.l. Quality System Certified Company UNI EN ISO 9001:2015 Reg.3023/A

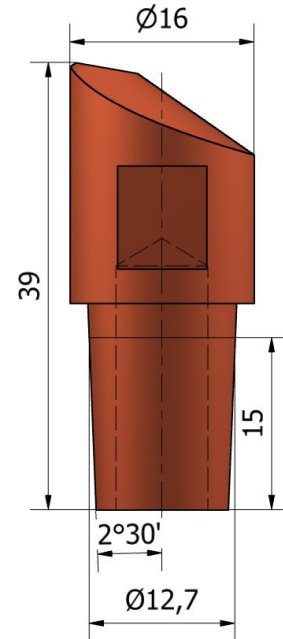
*ATS S.r.l is a qualified supplier of standard electrodes or electrodes according to customer specifications for resistance welding with certified alloys*



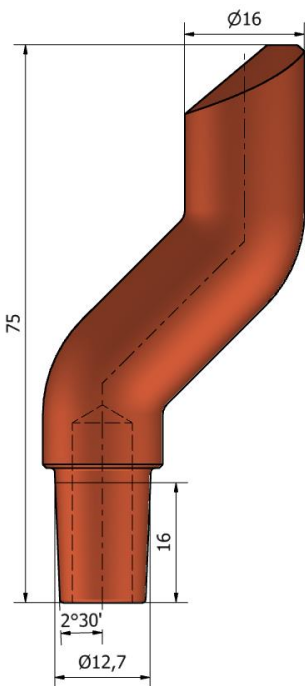
**ATSE3720**



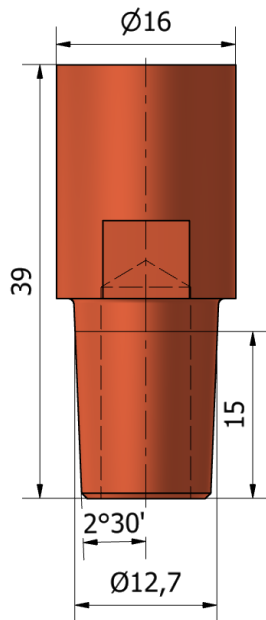
**ATSE3721**



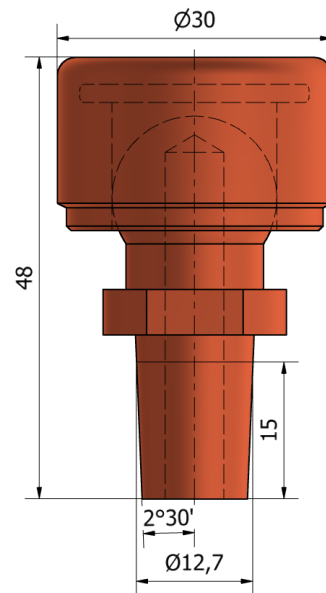
**ATSE3722**



**ATSE3723**



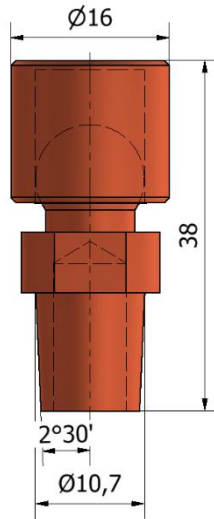
**ATSE3724**



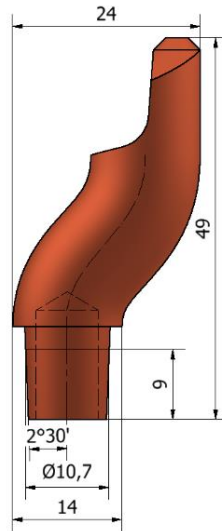
**ATSE3725**

A.T.S. s.r.l. Quality System Certified Company UNI EN ISO 9001:2015 Reg. 3023/A

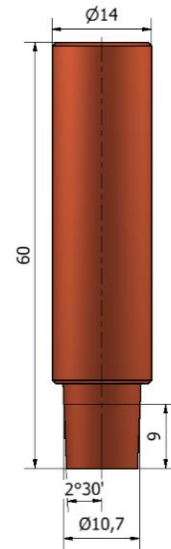
*ATS S.r.l is a qualified supplier of standard electrodes or electrodes according to customer specifications for resistance welding with certified alloys*



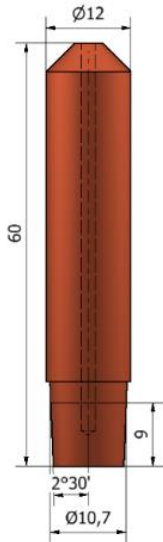
**ATSE3816**



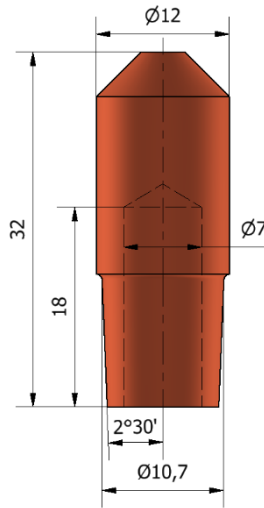
**ATSE3820**



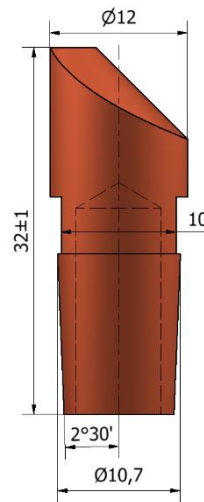
**ATSE3821**



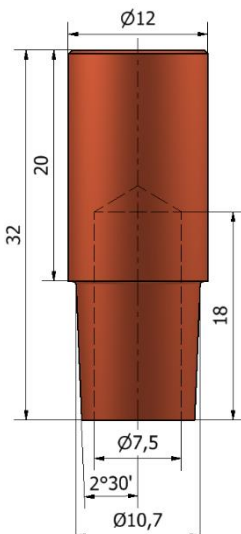
**ATSE3822**



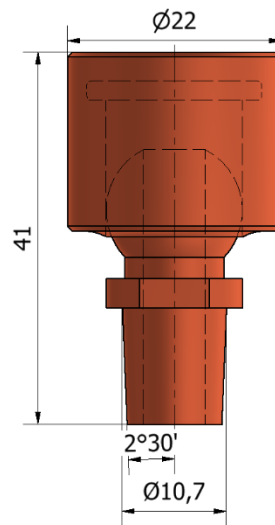
**ATSE3830**



**ATSE3831**



**ATSE3834**

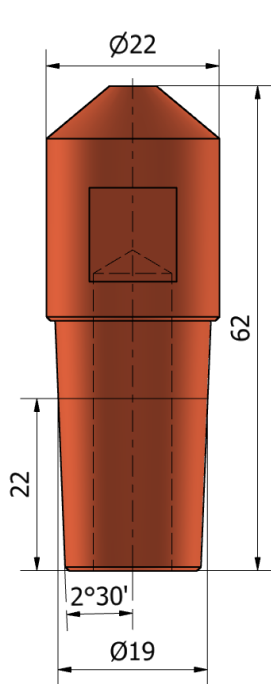


**ATSE3835**

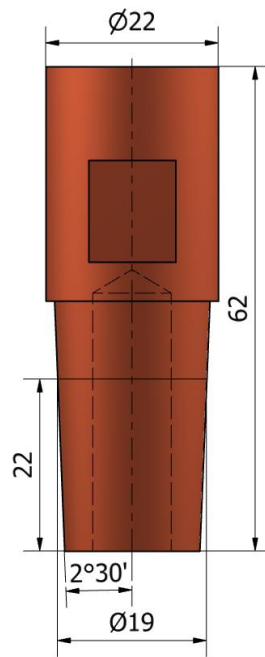
A.T.S. s.r.l. Quality System Certified Company UNI EN ISO 9001:2015 Reg.3023/A

*ATS S.r.l is a qualified supplier of standard electrodes or electrodes according to customer specifications for resistance welding with certified alloys*

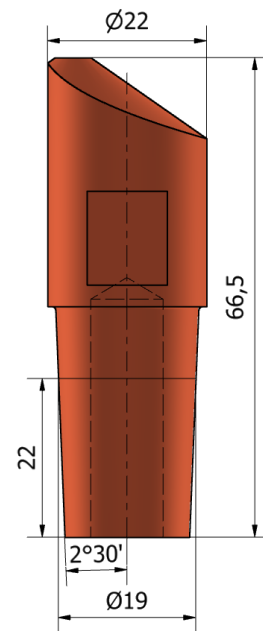




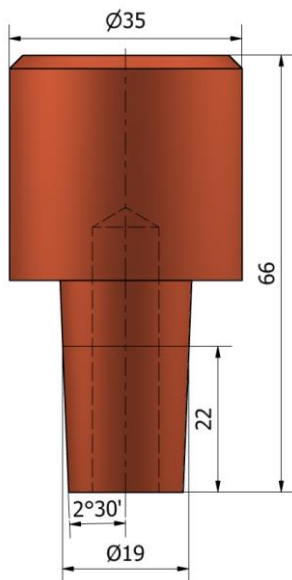
**ATSE8701**



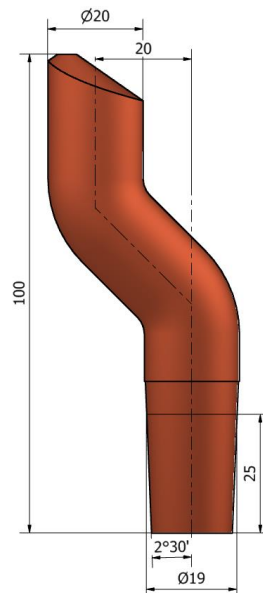
**ATSE8702**



**ATSE8703**



**ATSE8704**

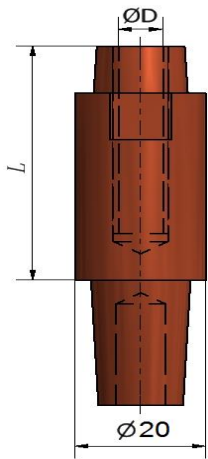


**ATSE8706**

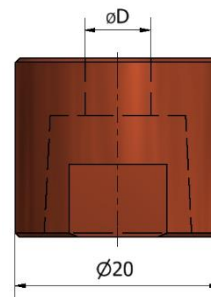
A.T.S. s.r.l. Quality System Certified Company UNI EN ISO 9001:2015 Reg.3023/A

*ATS S.r.l is a qualified supplier of standard electrodes or electrodes according to customer specifications for resistance welding with certified alloys*

## Electrodes For Projection Studs Welding D.20 cone 12

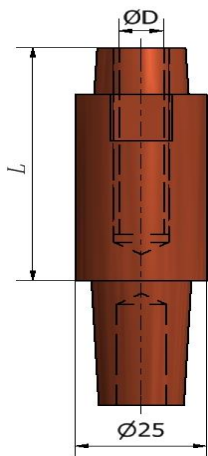


CODE	D
ATSPCAP412	M4
ATSPCAP512	M5
ATSPCAP612	M6
ATSPCAP812	M8
ATSPCAP1012	M10
ATSPCAP1212	M12

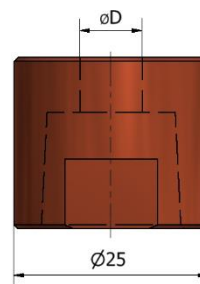


CODE	D
ATSCAPF420	M4
ATSCAPF520	M5
ATSCAPF620	M6
ATSCAPF820	M8
ATSCAPF1020	M10
ATSCAPF1220	M12

## Electrodes For Projection Studs Welding D.25 cone 18

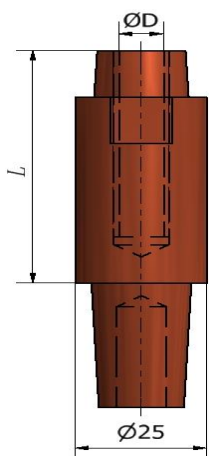


CODE	D
ATSPCAP418	M4
ATSPCAP518	M5
ATSPCAP618	M6
ATSPCAP818	M8
ATSPCAP1018	M10
ATSPCAP1012	M12

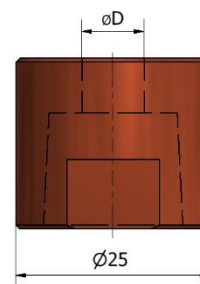


CODE	D
ATSCAPF425	M4
ATSCAPF525	M5
ATSCAPF625	M6
ATSCAPF825	M8
ATSCAPF1025	M10
ATSCAPF1225	M12

## Electrodes For Projection Studs Welding D.25 cone 36



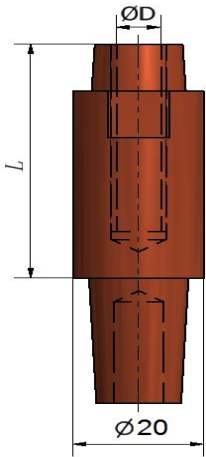
CODE	D
ATSPCAP436	M4
ATSPCAP536	M5
ATSPCAP636	M6
ATSPCAP836	M8
ATSPCAP1036	M10
ATSPCAP1236	M12



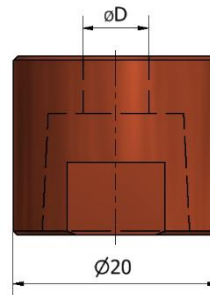
CODE	D
ATSCAPF425	M4
ATSCAPF525	M5
ATSCAPF625	M6
ATSCAPF825	M8
ATSCAPF1025	M10
ATSCAPF1225	D1

ATS S.r.l. is a qualified supplier of standard electrodes or electrodes according to customer specifications for resistance welding with certified alloys

## Electrodes For Projection Studs Welding D.25 cone 37

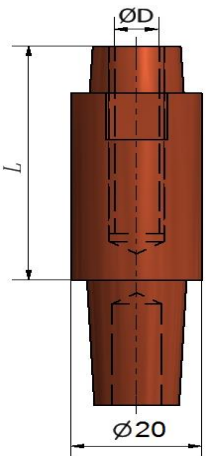


CODE	D
ATSPCAP437	M4
ATSPCAP537	M5
ATSPCAP637	M6
ATSPCAP837	M8
ATSPCAP1037	M10
ATSPCAP1237	M12

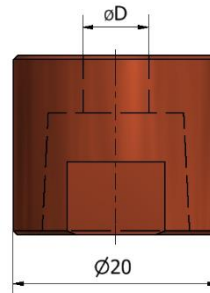


CODE	S
ATSCAPF420	M4
ATSCAPF520	M5
ATSCAPF620	M6
ATSCAPF820	M8
ATSCAPF1020	M10
ATSCAPF1220	M12

## Electrodes For Projection Studs Welding D.25 cone 38

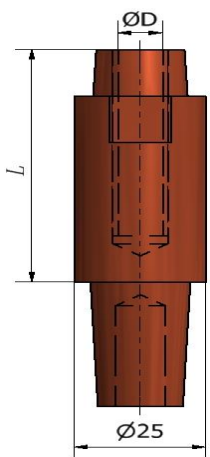


CODE	D
ATSPCAP438	M4
ATSPCAP538	M5
ATSPCAP638	M6
ATSPCAP838	M8
ATSPCAP1038	M10
ATSPCAP1238	M12

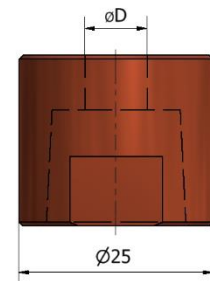


CODICE	D
ATSCAPF420	M4
ATSCAPF520	M5
ATSCAPF620	M6
ATSCAPF820	M8
ATSCAPF1020	M10
ATSCAPF1220	M12

## Electrodes For Projection Studs Welding D.25 cone 87



CODE	D
ATSPCAP487	M4
ATSPCAP587	M5
ATSPCAP687	M6
ATSPCAP887	M8
ATSPCAP1087	M10
ATSPCAP1287	M12



CODE	D
ATSCAPF425	M4
ATSCAPF525	M5
ATSCAPF625	M6
ATSCAPF825	M8
ATSCAPF1025	M10
ATSCAPF1225	M12

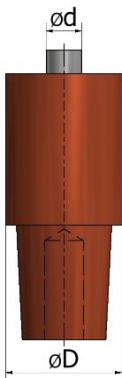
ATS S.r.l. is a qualified supplier of standard electrodes or electrodes according to customer specifications for resistance welding with certified alloys

## Electrodes for Projection Nuts Welding with Insulated Pin Cone 12



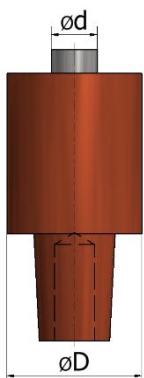
CODE	D	d
ATSEPI412	20	M4
ATSEPI512	20	M5
ATSEPI612	20	M6
ATSEPI812	20	M8
ATSEPI1012	22	M10
ATSEPI1212	22	M12

## Electrodes for Projection Nuts Welding with Insulated Pin Cone 18



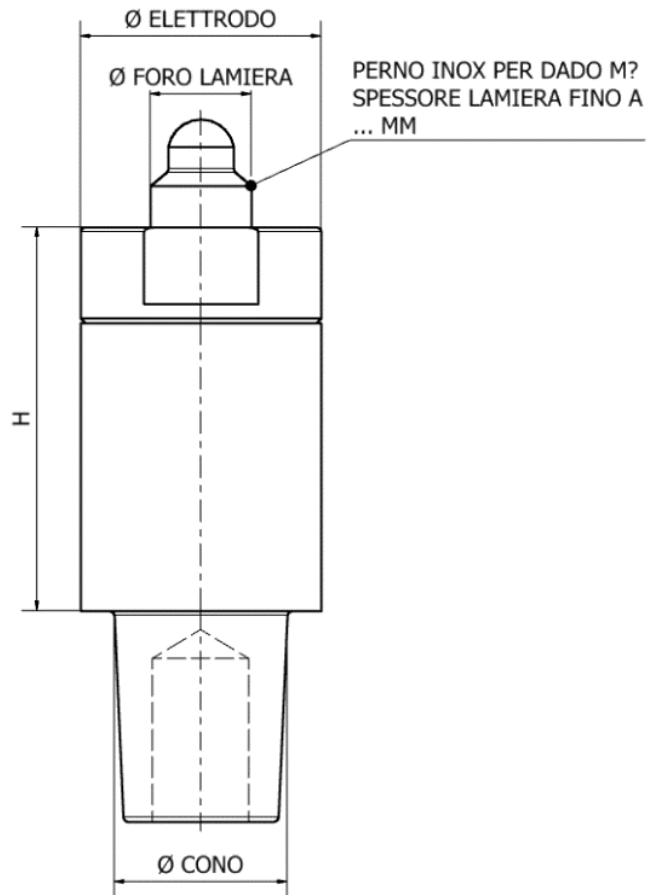
CODE	D	d
ATSEPI418	20	M4
ATSEPI518	20	M5
ATSEPI618	20	M6
ATSEPI818	20	M8
ATSEPI1018	22	M10
ATSEPI1218	22	M12

## Electrodes for Projection Nuts Welding with Insulated Pin Cone 36



CODE	D	d
ATSEPI436	20	M4
ATSEPI536	20	M5
ATSEPI636	20	M6
ATSEPI836	20	M8
ATSEPI1036	22	M10
ATSEPI1236	22	M12

*ATS S.r.l is a qualified supplier of standard electrodes or electrodes according to customer specifications for resistance welding with certified alloys*



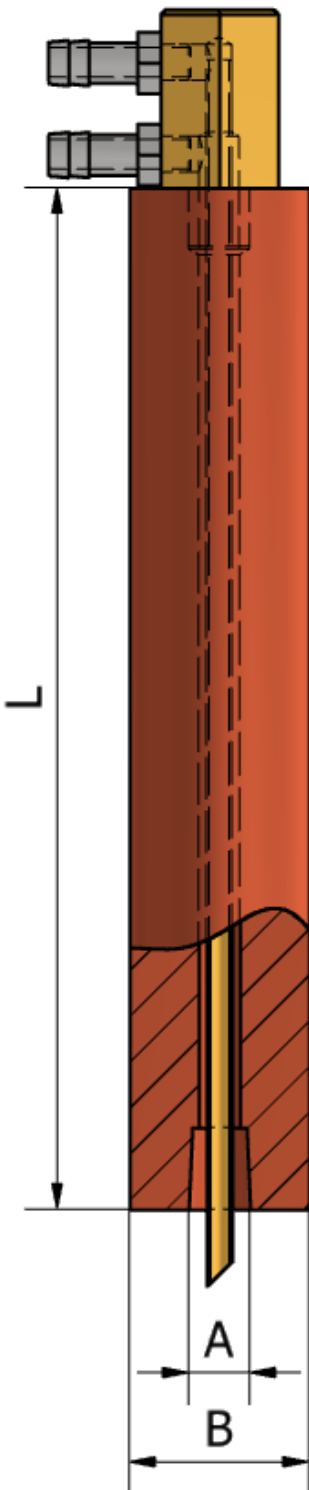
Ø CONE	Ø NUT THREAD	Ø SHEET HOLE	Ø ELECTRODE	MAX. SHEET THICKNESS
ON REQUEST	ON REQUEST	ON REQUEST	BASED ON DATA RECEIVED	ON REQUEST

A.T.S. s.r.l. Quality System Certified Company UNI EN ISO 9001:2015 Reg.3023/A



- All measurements are expressed in mm.
- Electrodes can be supplied for welding nuts with spring according to

*ATS S.r.l is a qualified supplier of standard electrodes or electrodes according to customer specifications for resistance welding with certified alloys*

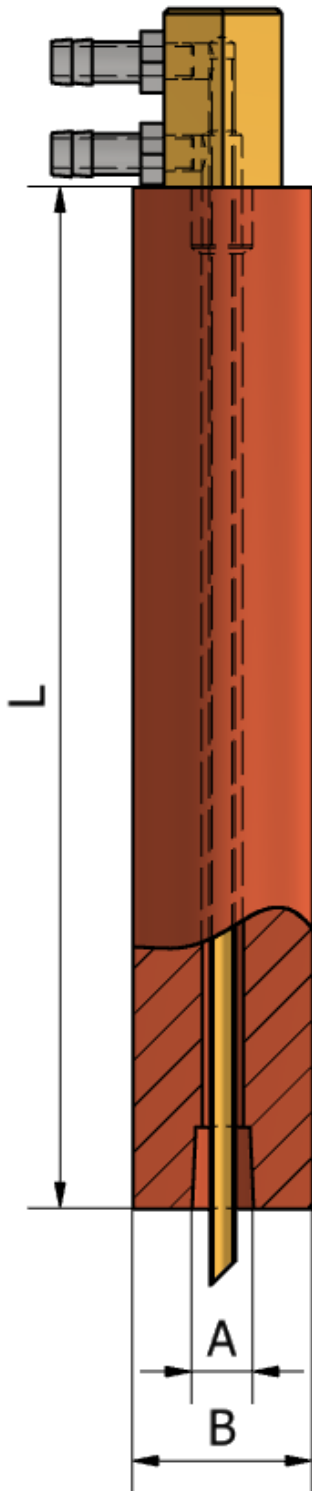


$\varnothing B$	L	$\varnothing A$	CODE	
16	90	12	ATSCAN169012	
	100		ATSCAN1610012	
	120		ATSCAN1612012	
	130		ATSCAN1613012	
	150		ATSCAN1615012	
	160		ATSCAN1616012	
18	200	12	ATSCAN1820012	
		37	ATSCAN1820037	
	220	12	ATSCAN1822012	
	230	38	ATSCAN1823038	
19	250	12	ATSCAN1825012	
	50	12	ATSCAN195012	
	60		9	ATSCAN196012
			ATSCAN19609	
	80	12	ATSCAN198012	
	90		ATSCAN199012	
	120		ATSCAN1912012	
	140		ATSCAN1914012	
	150		ATSCAN1915012	
	160		37	ATSCAN1915037
	170	12	ATSCAN1916012	
	180	36	ATSCAN1917036	
	180		12	ATSCAN1918012
			37	ATSCAN1918037
	200		12	ATSCAN1920012
			37	ATSCAN1920037
			9	ATSCAN192009
	220	12	ATSCAN1922012	
	220	37	ATSCAN1922037	
	240		12	ATSCAN1924012
		37	ATSCAN1924037	
250		12	ATSCAN1925012	
280	12	ATSCAN1928012		
300			ATSCAN1930012	
		37	ATSCAN1930037	
500	12	ATSCAN1950012		

A.T.S. s.r.l. Quality System Certified Company UNI EN ISO 9001:2015 Reg.3023/A

- All measurements are expressed in mm
- Candles available according to customer specifications

ATS S.r.l is a qualified supplier of standard electrodes or electrodes according to customer specifications for resistance welding with certified alloys

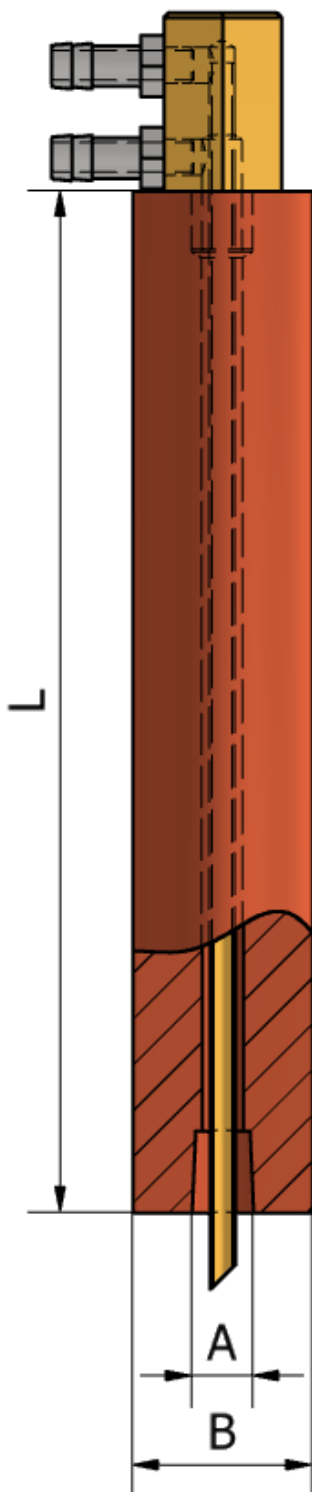


$\varnothing B$	L	$\varnothing A$	CODE	
20	50	12	ATSCAN205012	
	100		ATSCAN2010012	
	120		ATSCAN2012012	
	150	37	ATSCAN2012037	
		12	ATSCAN2015012	
	200	37	ATSCAN2015037	
		12	ATSCAN2016012	
	21	60	12	ATSCAN2020012
		100		ATSCAN2020013
		120		ATSCAN2020018
150		12	ATSCAN2022012	
170		12	ATSCAN2022012	
180		16	ATSCAN2026037	
200		12	ATSCAN2030012	
220			ATSCAN216012	
240			ATSCAN2110012	
300			ATSCAN2112012	
330	16	ATSCAN2115012		
	16	ATSCAN2117016		
	12	ATSCAN2118012		
	12	ATSCAN2120012		
	12	ATSCAN2122012		
	12	ATSCAN2124012		
	12	ATSCAN2130012		
	16	ATSCAN2133016		

A.T.S. s.r.l. Quality System Certified Company UNI EN ISO 9001:2015 Reg.3023/A

- All measurements are expressed in mm
- Candles available according to customer specifications

ATS S.r.l is a qualified supplier of standard electrodes or electrodes according to customer specifications for resistance welding with certified alloys



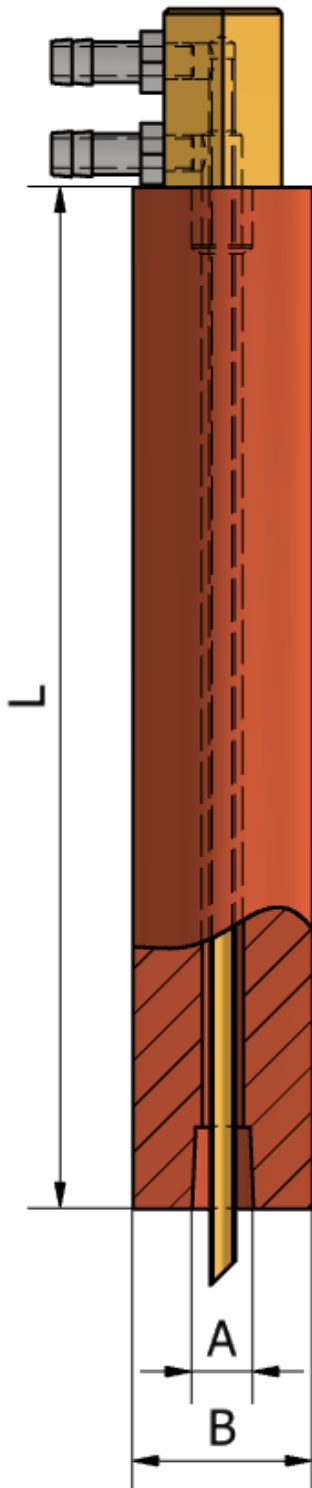
$\varnothing B$	L	$\varnothing A$	CODE	
22	80	12	ATSCAN228012	
	80	36	ATSCAN228036	
	120		ATSCAN2212036	
	130	12	ATSCAN2213012	
	130	18	ATSCAN2213018	
	150	150	12	ATSCAN2215012
			16	ATSCAN2215016
			18	ATSCAN2215018
			36	ATSCAN2215036
	170	170	37	ATSCAN2215037
			37	ATSCAN2217037
	180	180	12	ATSCAN2218012
			36	ATSCAN2218036
			37	ATSCAN2218037
	200	200	12	ATSCAN2220012
			36	ATSCAN2220036
			37	ATSCAN2220037
	220	220	18	ATSCAN2222018
			12	ATSCAN222012
			36	ATSCAN2222036
	240	240	36	ATSCAN2224036
			37	ATSCAN2224037
	250	250	12	ATSCAN2225012
			18	ATSCAN2225018
			37	ATSCAN2225037
	260	260	36	ATSCAN2226036
	300	300	12	ATSCAN2230012
			36	ATSCAN2230036
37			ATSCAN2230037	
320	320	36	ATSCAN2232036	
350	350	10	ATSCAN2235010	
		12	ATSCAN2235012	
		36	ATSCAN2235036	
400	400	12	ATSCAN2240012	
		36	ATSCAN2240036	

A.T.S. s.r.l. Quality System Certified Company UNI EN ISO 9001:2015 Reg.3023/A

- All measurements are expressed in mm
- Candles available according to customer specifications

ATS S.r.l is a qualified supplier of standard electrodes or electrodes according to customer specifications for resistance welding with certified alloys



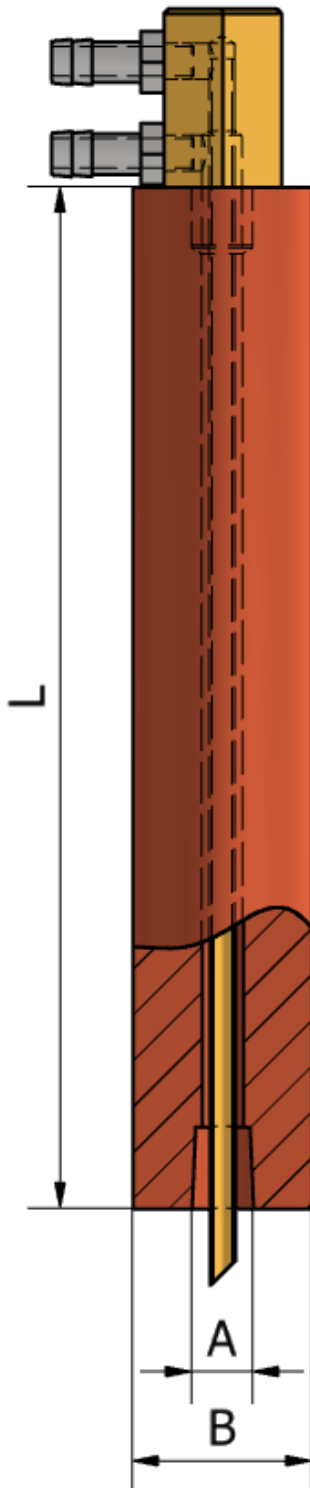


$\varnothing B$	L	$\varnothing A$	CODE
25	60	12	ATSCAN256012
		36	ATSCAN256036
	80	12	ATSCAN258012
		18	ATSCAN258018
	100	12	ATSCAN2510012
		18	ATSCAN2510018
		36	ATSCAN2510036
	120	12	ATSCAN2512012
	130	18	ATSCAN2513018
		36	ATSCAN2513036
	150	12	ATSCAN2515012
		16	ATSCAN2515016
		18	ATSCAN2515018
		36	ATSCAN2515036
		37	ATSCAN2515037
		87	ATSCAN2515087
	180	12	ATSCAN2518012
		18	ATSCAN2518018
		36	ATSCAN2518036
	200	12	ATSCAN2520012
		18	ATSCAN2520018
		36	ATSCAN2520036
	210	36	ATSCAN2521036
	220	18	ATSCAN2522018
	240	36	ATSCAN2524036
	250	12	ATSCAN2525012
		18	ATSCAN2525018
	280	12	ATSCAN2528012
	300	12	ATSCAN2530012
		18	ATSCAN2530018
36		ATSCAN2530036	
340	36	ATSCAN2534036	
350	12	ATSCAN2535012	
400	12	ATSCAN2540012	
	16	ATSCAN2540016	
500	36	ATSCAN2550036	

A.T.S. s.r.l. Quality System Certified Company UNI EN ISO 9001:2015 Reg.3023/A

- All measurements are expressed in mm
- Candles available according to customer specifications

ATS S.r.l is a qualified supplier of standard electrodes or electrodes according to customer specifications for resistance welding with certified alloys

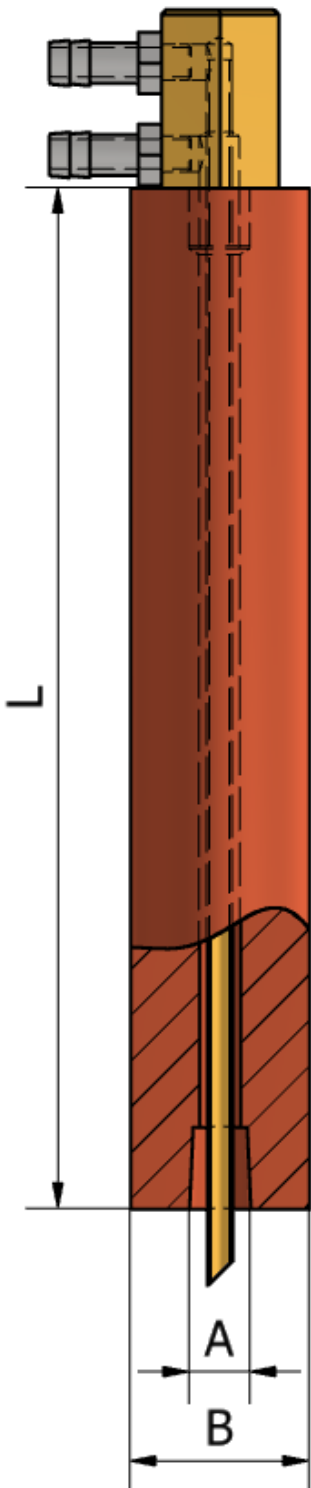


$\varnothing B$	L	$\varnothing A$	CODE
28	100	12	ATSCAN2810012
	170		ATSCAN2817012
	200	36	ATSCAN2817036
		12	ATSCAN2820012
		36	ATSCAN2820036
	230	18	ATSCAN2820037
	250		ATSCAN2823018
30	70	12	ATSCAN307012
		87	ATSCAN307087
	100	18	ATSCAN3010018
			ATSCAN3015018
	150	36	ATSCAN3015036
		200	12
	18		ATSCAN3020018
	87		ATSCAN3020087
	220	18	ATSCAN3022018
	230	38	ATSCAN3023038
	250	18	ATSCAN3025018
		36	ATSCAN3025036
		87	ATSCAN3025087
	300	18	ATSCAN3030018
87		ATSCAN3030087	
500	18	ATSCAN3050018	

A.T.S. s.r.l. Quality System Certified Company UNI EN ISO 9001:2015 Reg.3023/A

- All measurements are expressed in mm
- Candles available according to customer specifications

ATS S.r.l is a qualified supplier of standard electrodes or electrodes according to customer specifications for resistance welding with certified alloys

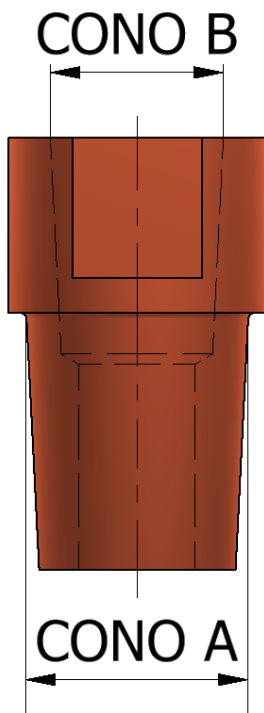


Ø B	L	Ø A	CODE	
32	200	18	ATSCAN3220018	
		87	ATSCAN3220087	
	220	18	ATSCAN3222018	
		87	ATSCAN3222087	
	240	87	ATSCAN3224087	
	250	18	18	ATSCAN3225018
			36	ATSCAN3225036
		87	ATSCAN3225087	
	270	36	ATSCAN3227036	
	300	12	12	ATSCAN3230012
			18	ATSCAN3230018
	320	18	ATSCAN3232018	
350	36	ATSCAN3235036		
35	70	38	ATSCAN357038	
	150	18	ATSCAN3515018	
	180		ATSCAN3518018	
	200		ATSCAN3520018	
	250	87	ATSCAN3520087	
18		ATSCAN3525018		
	87	ATSCAN3525087		
36	200	18	ATSCAN3620018	
40	320	24	ATSCAN4032024	

A.T.S. s.r.l. Quality System Certified Company UNI EN ISO 9001:2015 Reg.3023/A

- All measurements are expressed in mm
- Candles available according to customer specifications

ATS S.r.l is a qualified supplier of standard electrodes or electrodes according to customer specifications for resistance welding with certified alloys

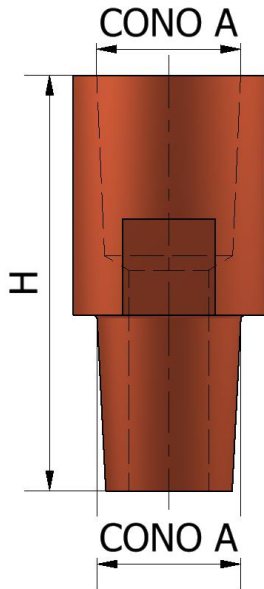


CONO A	CONO B	CODE
12	M12	ATSRID129
12	18	ATSRID1218
12	36	ATSRID1236
12	38	ATSRID1238
16	12	ATSRID1612
18	9	ATSRID189
18	12	ATSRID1812
18	36	ATSRID1836
36	12	ATSRID3612
36	18	ATSRID3618
37	12	ATSRID3712
38	12	ATSRID3812
87	12	ATSRID8712
87	18	ATSRID8718
87	37	ATSRID8737

A.T.S. s.r.l. Quality System Certified Company UNI EN ISO 9001:2015 Reg.3023/A

- All measurements are expressed in mm.
- Reductions can be provided according to customer specifications

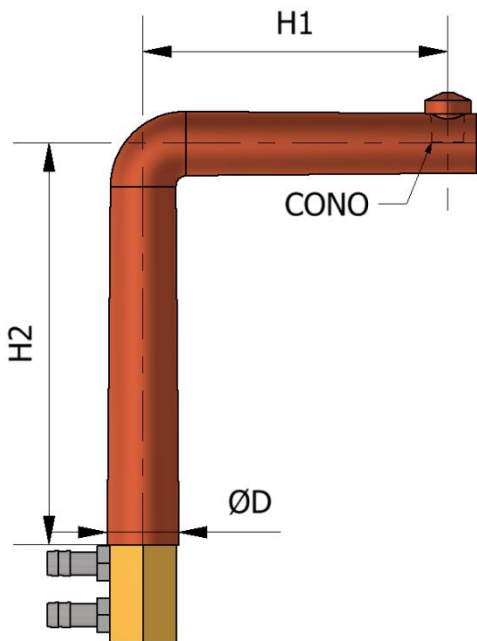
*ATS S.r.l is a qualified supplier of standard electrodes or electrodes according to customer specifications for resistance welding with certified alloys*



CONO A	CONO A	H	CODE
12	12	40	ATSPRO1212D16L40
12	12	60	ATSPRO1212D16L60
12	12	70	ATSPRO1212D16L70
37	37	50	ATSPRO3737D16L50
38	38	40	ATSPRO3838D16L40
87	87	100	ATSPRO8787D25L100

- All measurements are expressed in mm.
- Extensions can be supplied according to customer specifications.

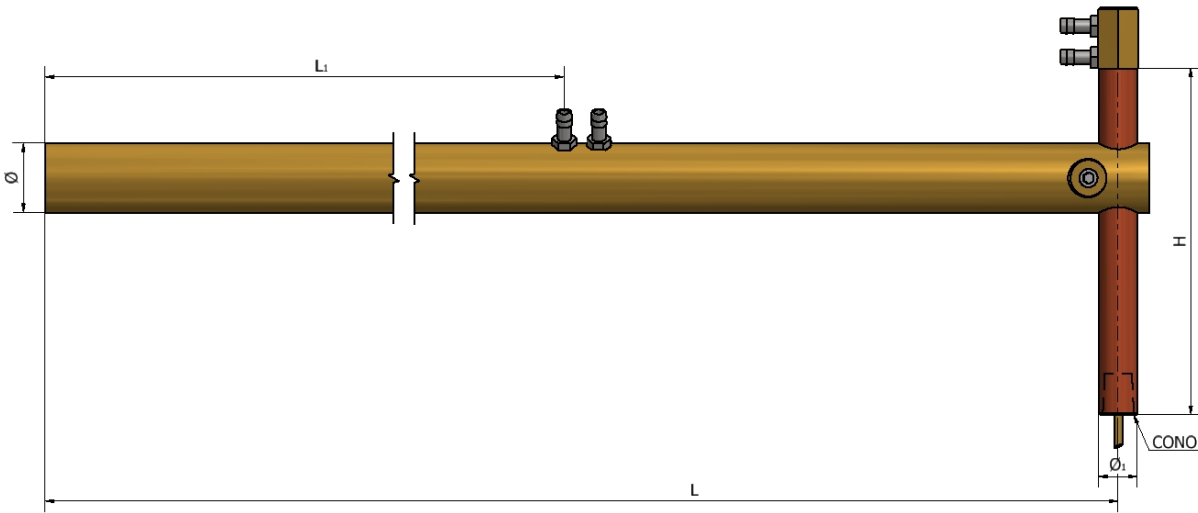
### Candles Electrodes-Holders for Set Screw



H1	H2	CONE	ØD	CODE
100	100	12	21	ATSPEXGR21C12
100	100	12	22	ATSPEXGR22C12
100	100	12	30	ATSPEXGR30C12
100	100	12	32	ATSPEXGR32C12
100	100	9	22	ATSPEXGRD22C9
100	100	9	25	ATSPEXGRD25C9
80	160	12	25	ATSPEXGRD25C12

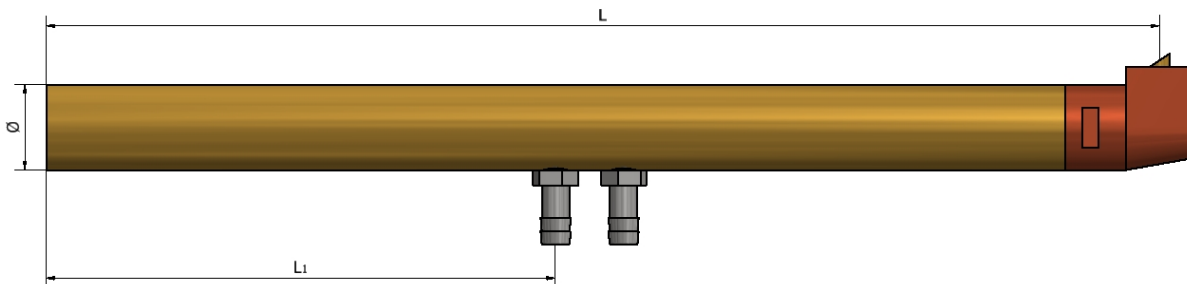
- All measurements are expressed in mm.
- Electrode-holding spark plugs for grub screws can be supplied according to customer specifications.

ATS S.r.l is a qualified supplier of standard electrodes or electrodes according to customer specifications for resistance welding with certified alloys



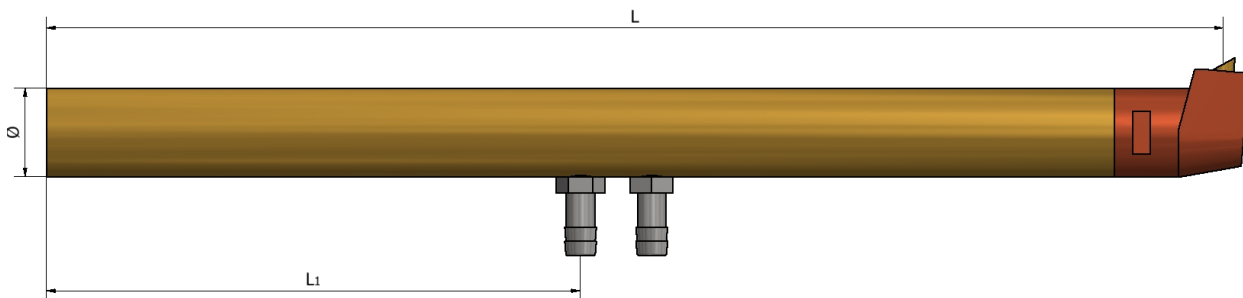
**Dimensions on request**

*Arm with Straight head*



**Dimensions on request**

*Arm with Tilted Head*

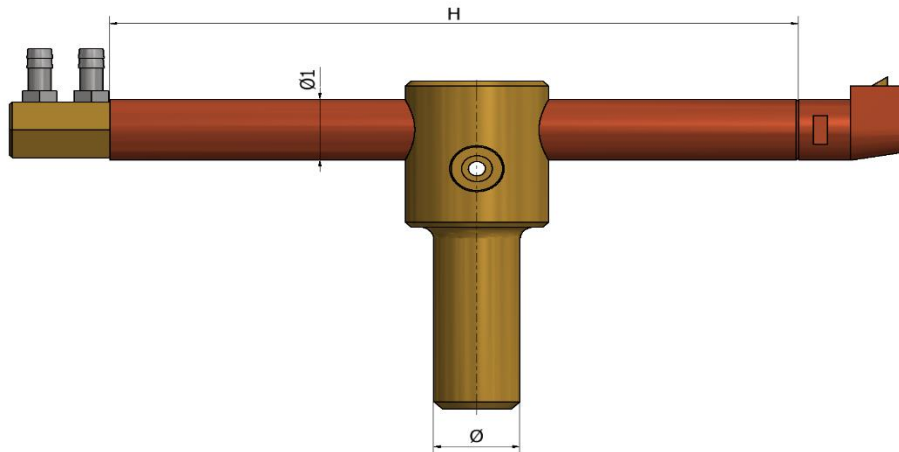


**Dimensions on request**

A.T.S. s.r.l. Quality System Certified Company UNI EN ISO 9001:2015 Reg.3023/A

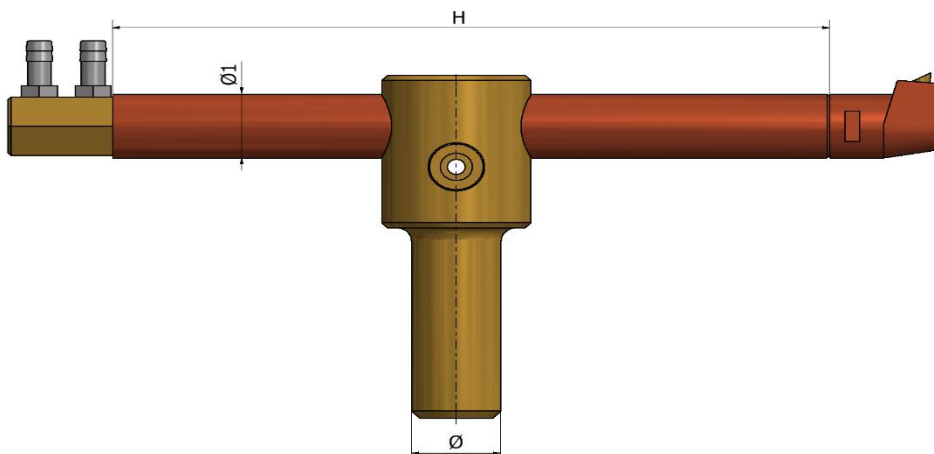
*ATS S.r.l is a qualified supplier of standard electrodes or electrodes according to customer specifications for resistance welding with certified alloys*

## Universal Arm with Candle and Straight Head



*Dimensions and Taper on request*

## Universal Arm with Candle and Tilted Head

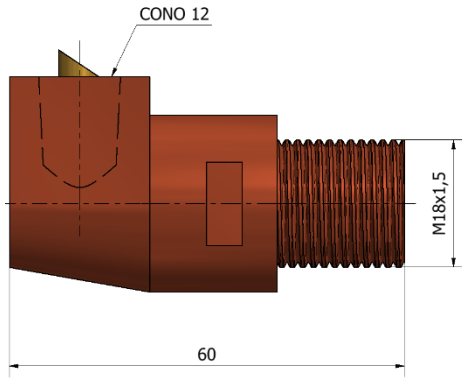


*Dimensions and Taper on request*

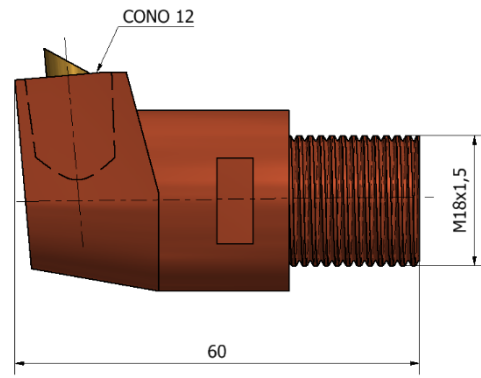
## Universal Candle Arm Holder



*Dimensions on request*

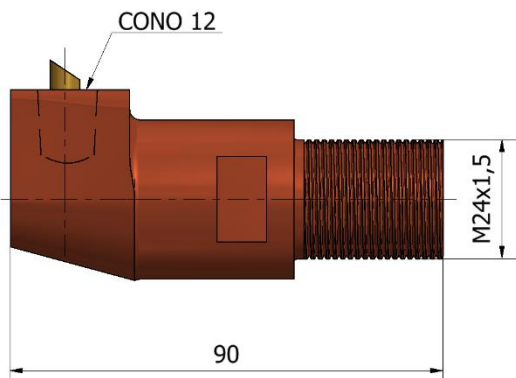


**ATSTESPN4DIR**

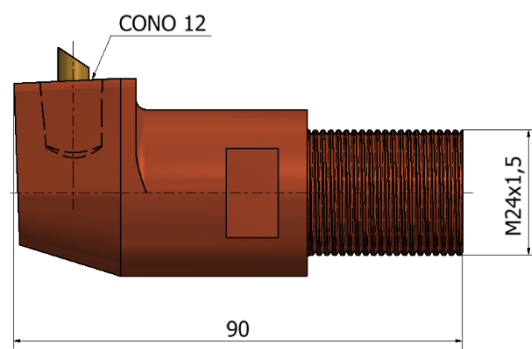


**ATSTESPN4INCL**

Lower Heads 2151 Cone 12

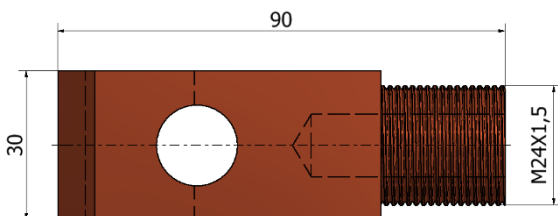


**ATSTES2151ID**

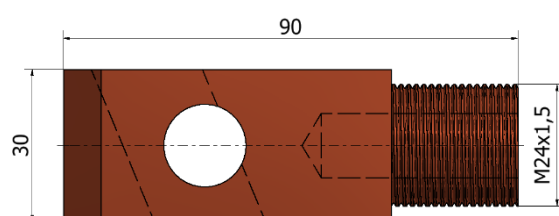


**ATSTES2151INC**

Top Heads 2151



**ATSTES2151SD**

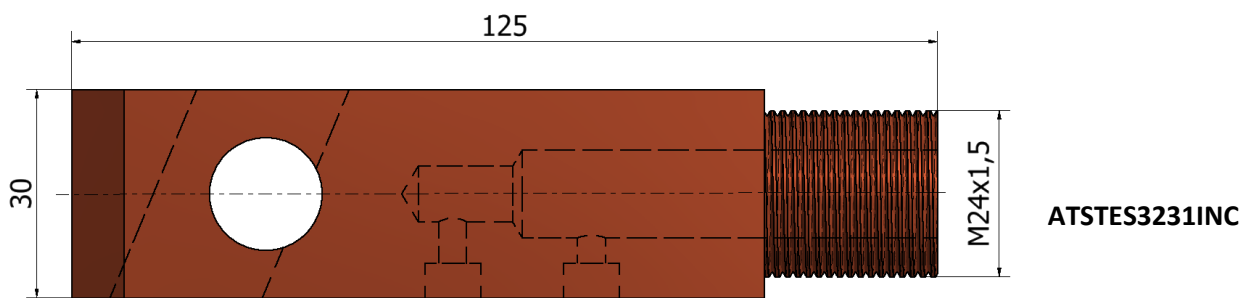
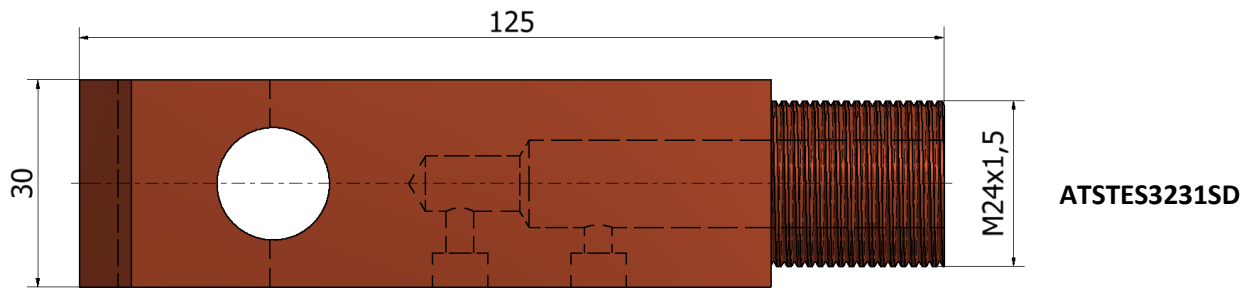


**ATSTES2151SINC**

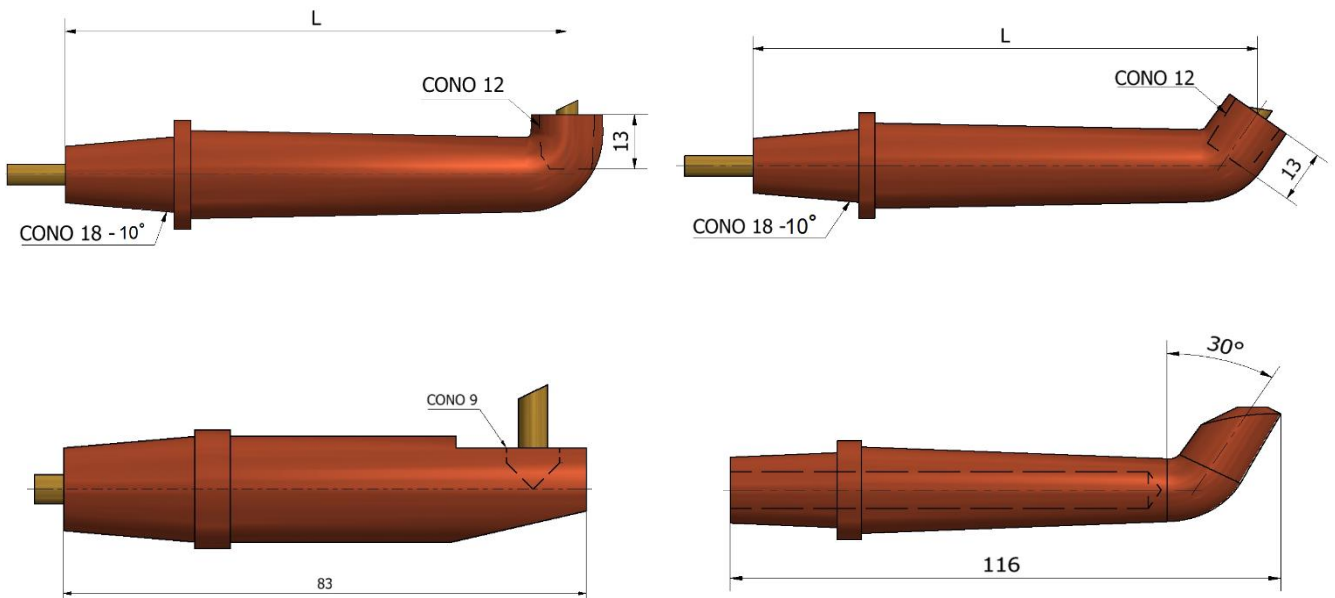
A.T.S. s.r.l. Quality System Certified Company UNI EN ISO 9001:2015 Reg.3023/A

*ATS S.r.l is a qualified supplier of standard electrodes or electrodes according to customer specifications for resistance welding with certified alloys*





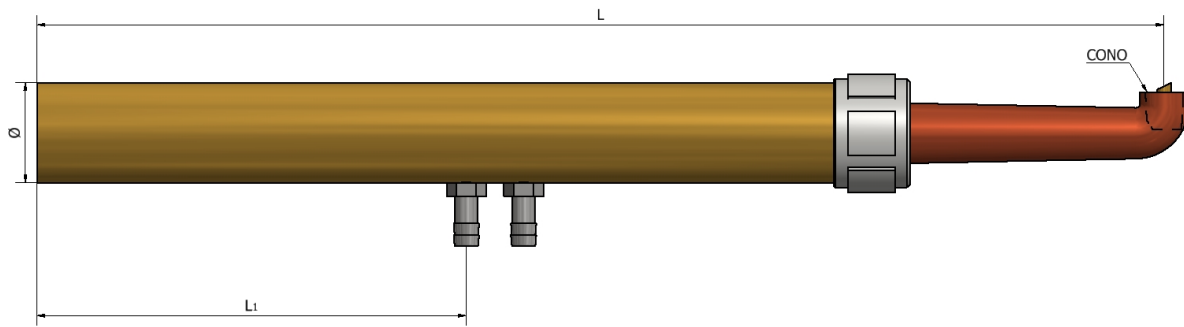
Head Electrodes and Electrode Holders



Dimensions on request

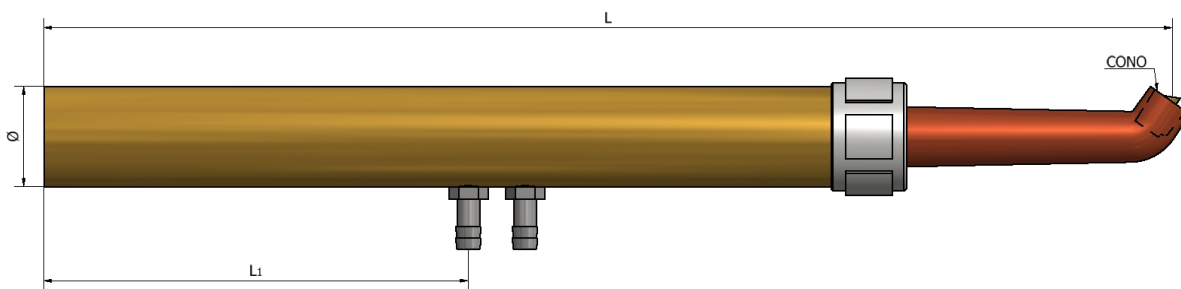
ATS S.r.l is a qualified supplier of standard electrodes or electrodes according to customer specifications for resistance welding with certified alloys

## Arm with Straight Electrode Holder



*Dimensions and taper on request*

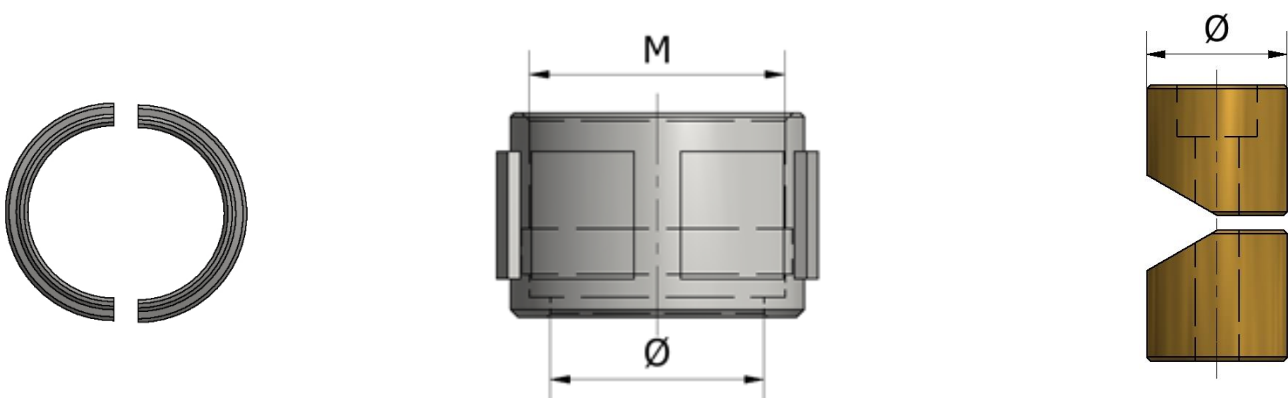
## Arm with Inclined Electrode Holder



*Dimensions and taper on request*

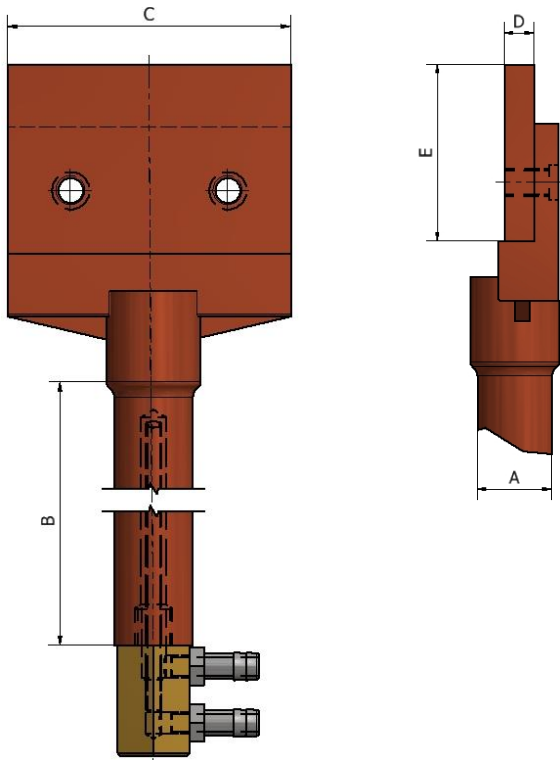
A.T.S. s.r.l. Quality System Certified Company UNI EN ISO 9001:2015 Reg.3023/A

## Ferrules - Semi Rings and Nuts Clamping



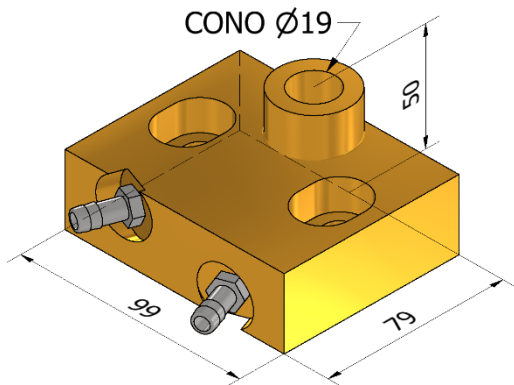
*Dimensions on request*

*ATS S.r.l is a qualified supplier of standard electrodes or electrodes according to customer specifications for resistance welding with certified alloys*

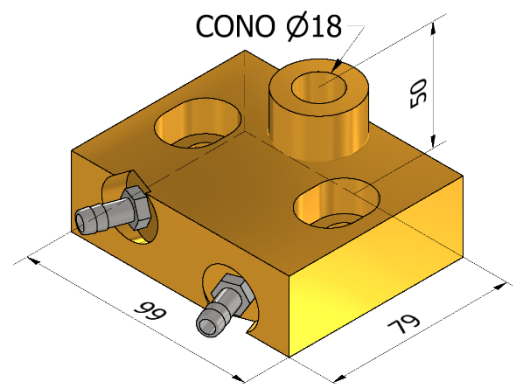


AØ	B	C	D	E
20	150	70	10	40
22	150	80	12	50
25	150	90	14	60
30	150	100	15	60

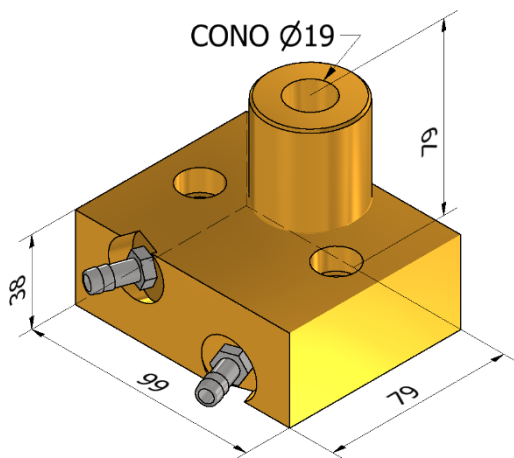
## Electrode Holders



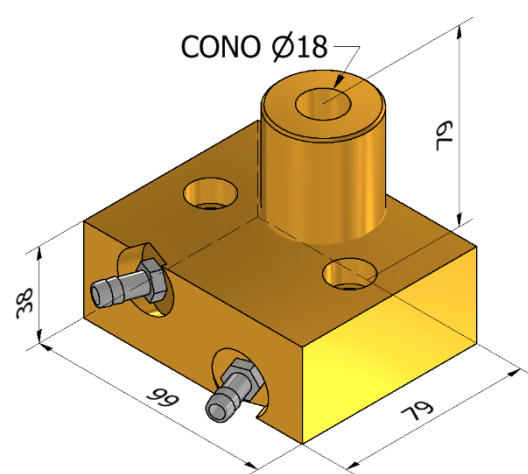
**ATS39493**



**ATS39494**



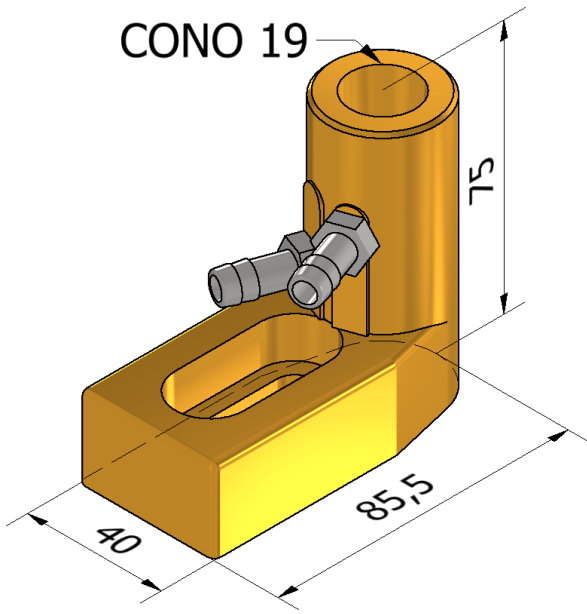
**ATS44131**



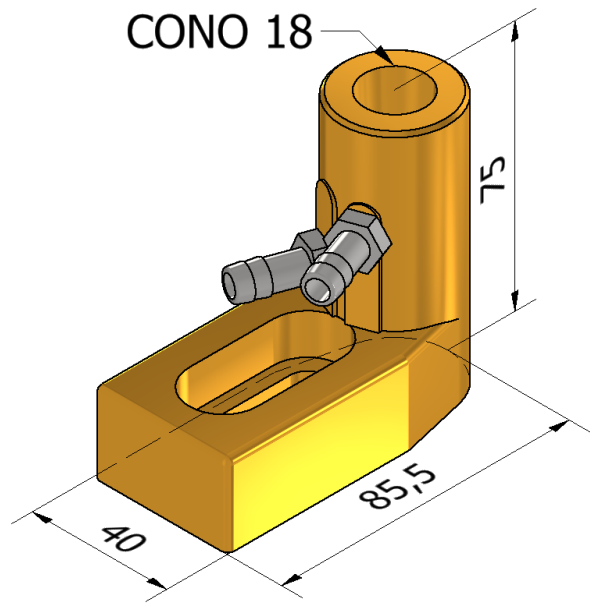
**ATS45188**

*Dimensions and Taper on request*

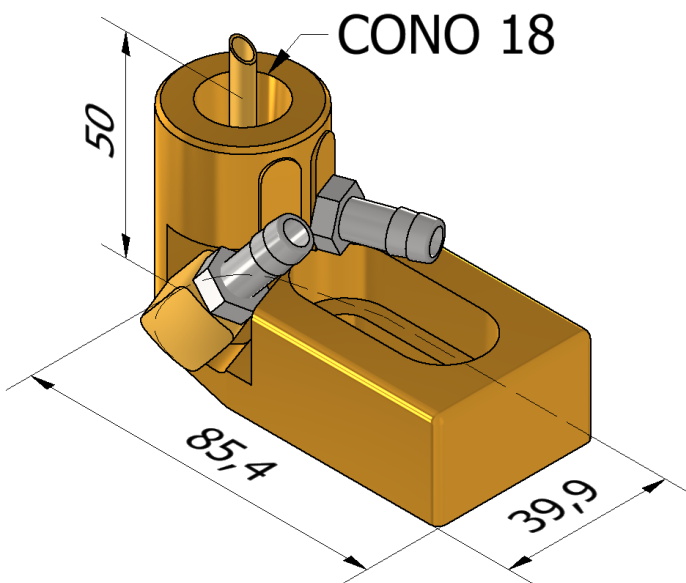
*ATS S.r.l is a qualified supplier of standard electrodes or electrodes according to customer specifications for resistance welding with certified alloys*



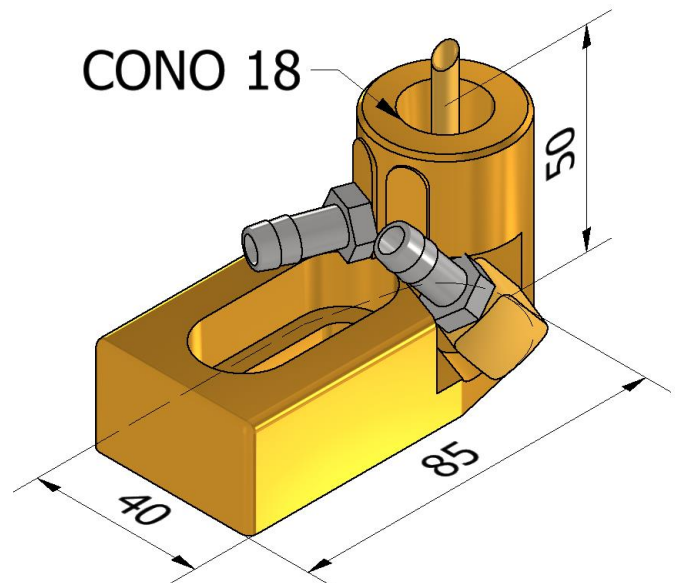
**ATS38349**



**ATS39636**



**ATS44947**



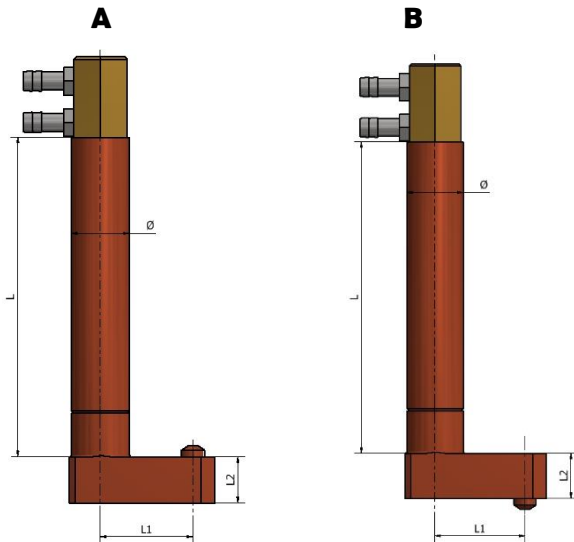
**ATS44971**

A.T.S. s.r.l. Quality System Certified Company UNI EN ISO 9001:2015 Reg.3023/A

*Dimensions and Taper on request*

*ATS S.r.l is a qualified supplier of standard electrodes or electrodes according to customer specifications for resistance welding with certified alloys*

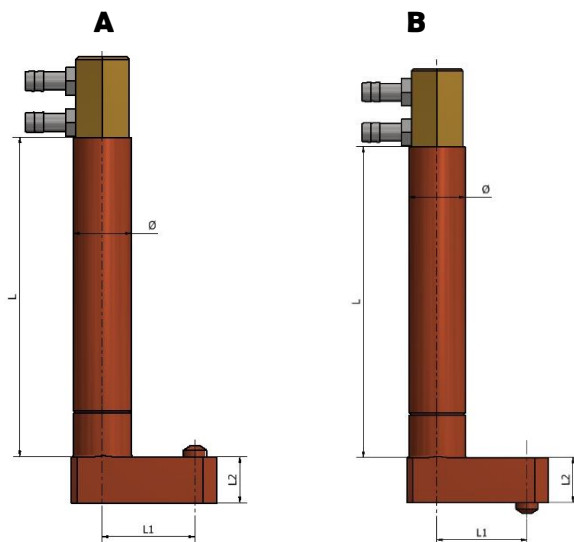
## Foot de Biche Cone 9



	Ø (mm)	L (mm)
A	16	50
		160
B	16	50
		160

*Dimensions on request*

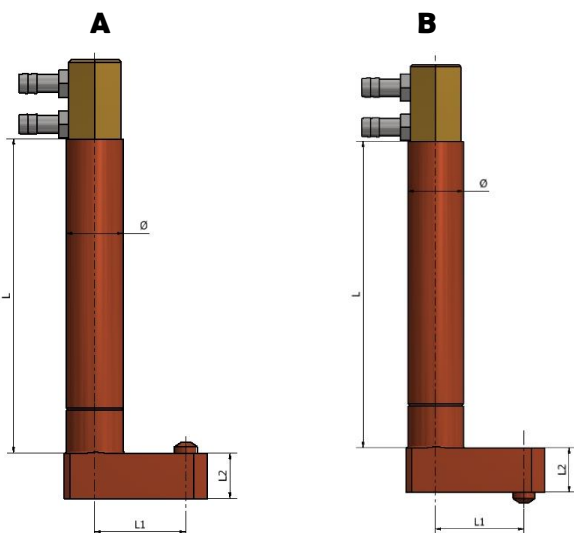
## Foot de Biche Cone 12



	Ø(mm)	L(mm)
A	19	80
		115
		150
		250
B	19	130
		240
		320
		80
B	19	115
		150
		250

*Dimensions on request*

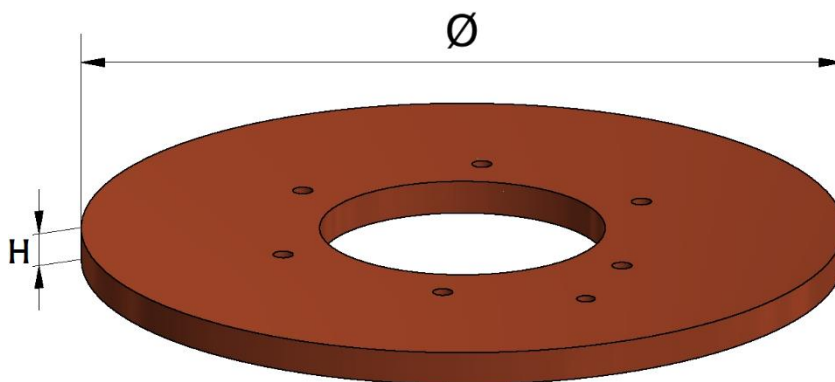
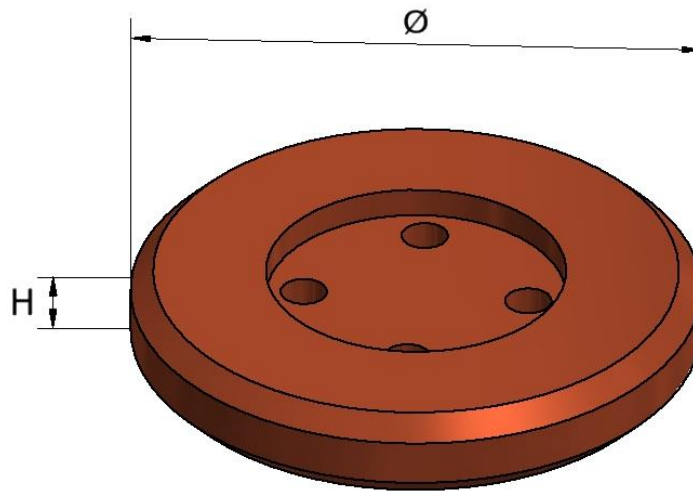
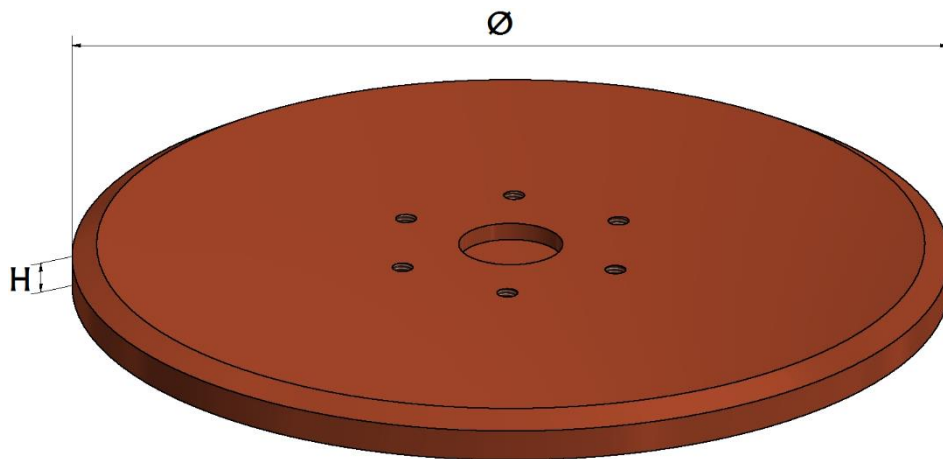
## Foot de Biche Cone 18



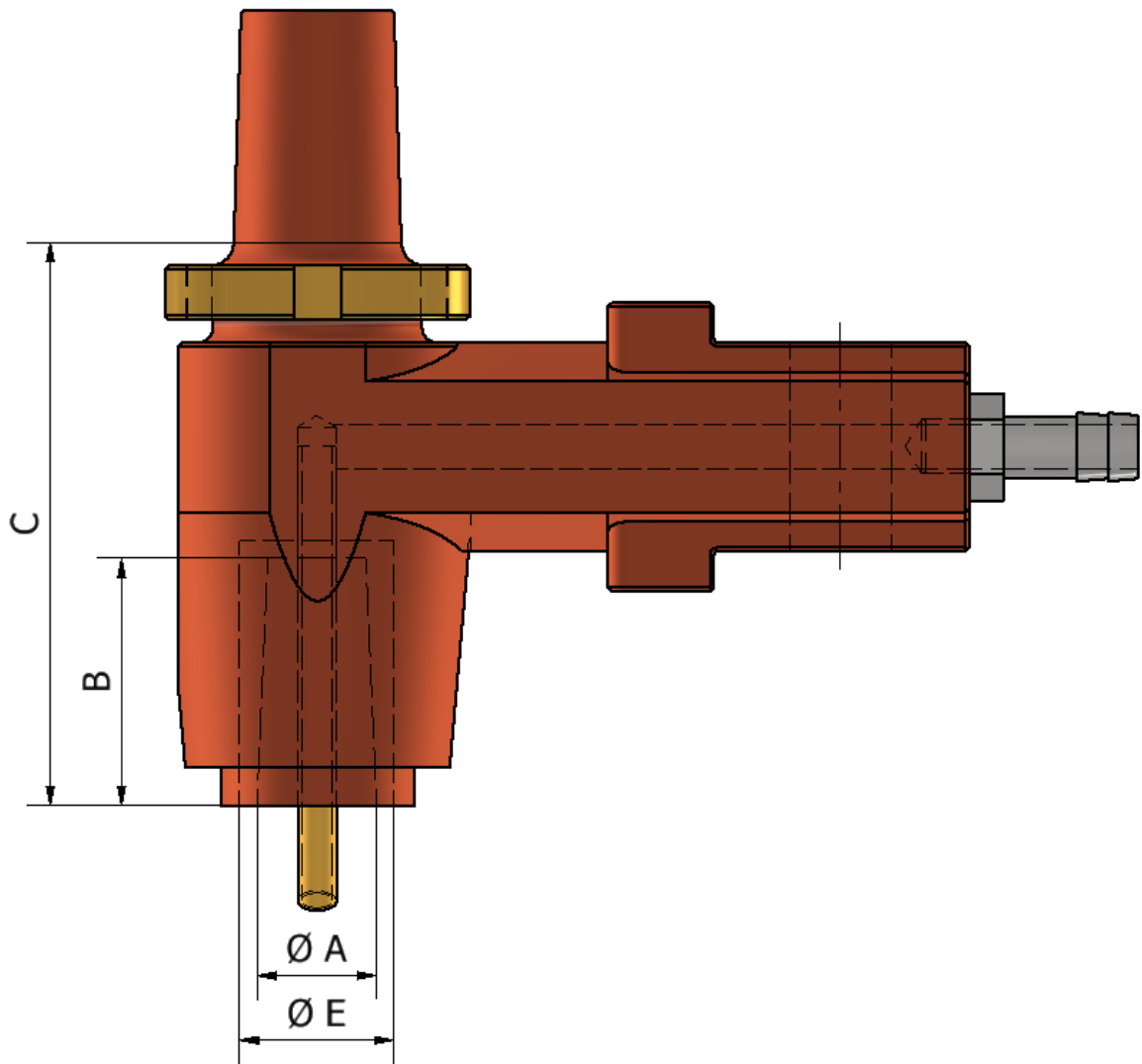
	Ø(mm)	L(mm)
A	25	160
		260
		360
A	30	160
		260
		360
B	25	160
		260

*Dimensions on request*

*ATS S.r.l is a qualified supplier of standard electrodes or electrodes according to customer specifications for resistance welding with certified alloys*



**Dimensions on request**

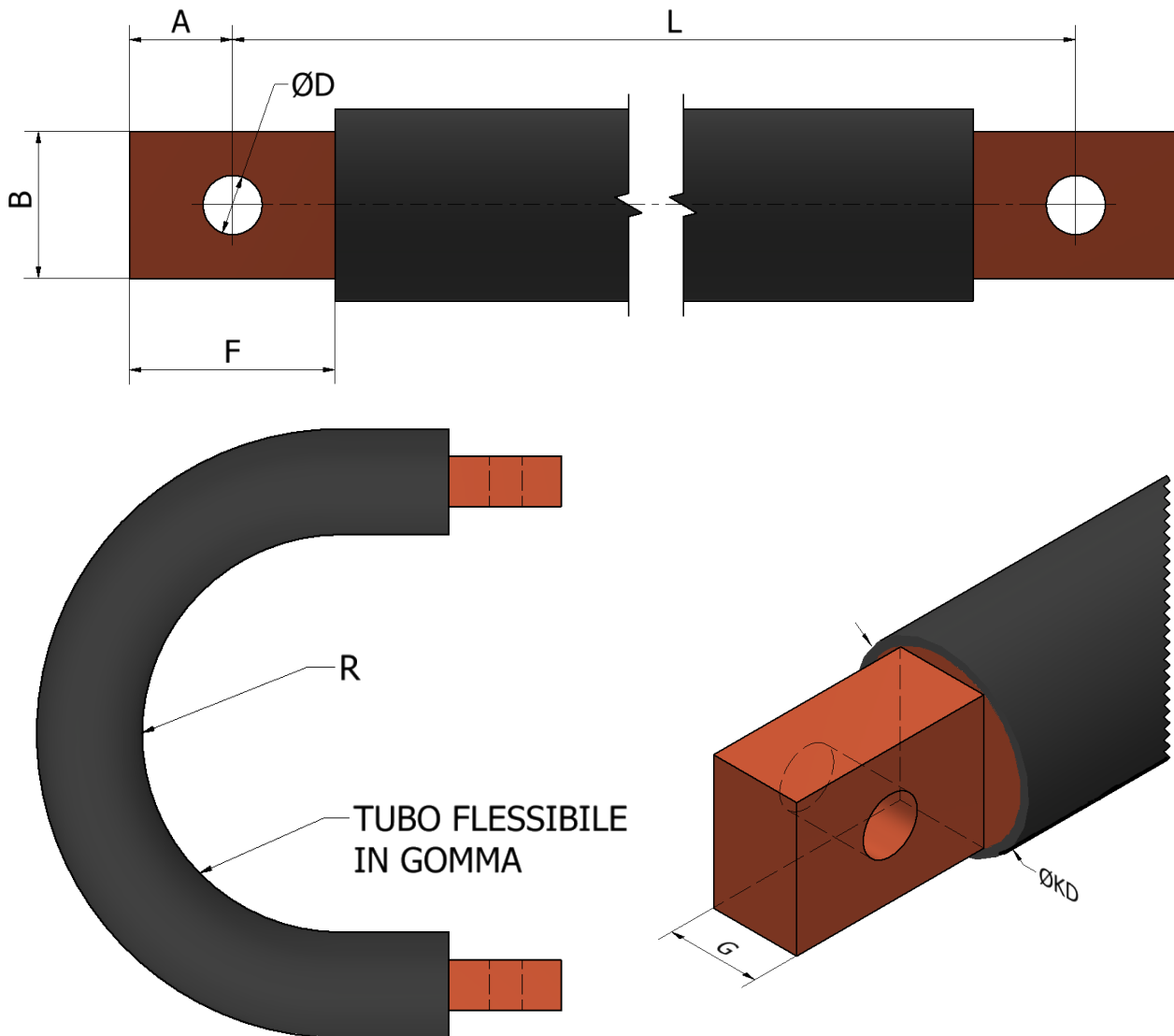


A.T.S. s.r.l. Quality System Certified Company UNI EN ISO 9001:2015 Reg.3023/A

$\varnothing A$	B	C	$\varnothing E$	CODE
15,5	32	72	20	ATS31548728
19	40	78	22	ATS31548731

- All measurements are expressed in mm

*ATS S.r.l is a qualified supplier of standard electrodes or electrodes according to customer specifications for resistance welding with certified alloys*



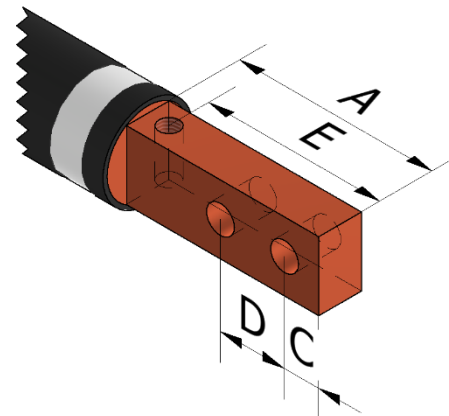
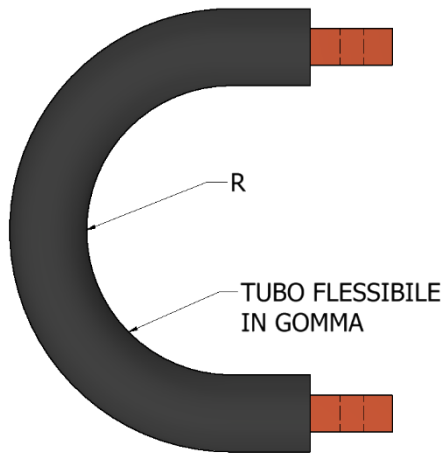
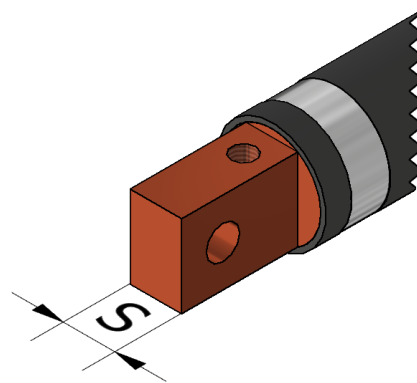
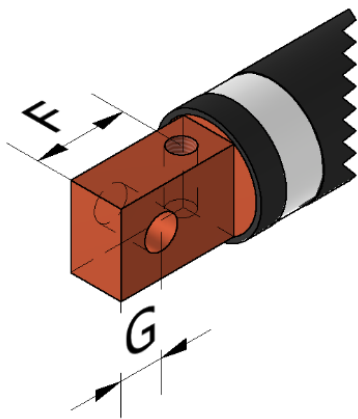
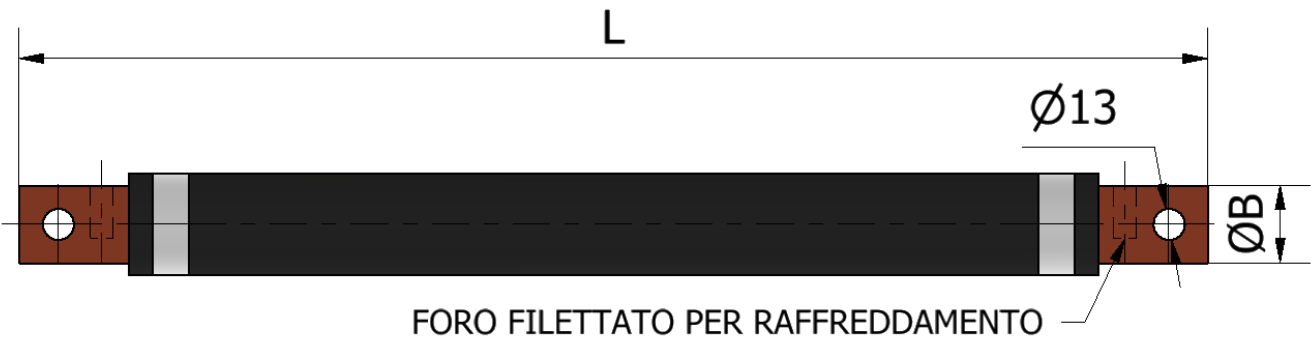
A.T.S. s.r.l. Quality System Certified Company UNI EN ISO 9001:2015 Reg.3023/A

SECTION	A	B	F	ØD	G	ØKD	R
mm <sup>2</sup>	mm	mm	mm	mm	mm	mm	mm
300	16	32	42	13	15	30	50
400	16	32	42	13	18	36	65
500	16	32	42	13	21	38	75
600	16	32	42	13	25	42	90
"L" LENGTH ACCORDING TO CUSTOMER REQUIREMENTS							

- All measurements are expressed in mm

ATS S.r.l is a qualified supplier of standard electrodes or electrodes according to customer specifications for resistance welding with certified alloys

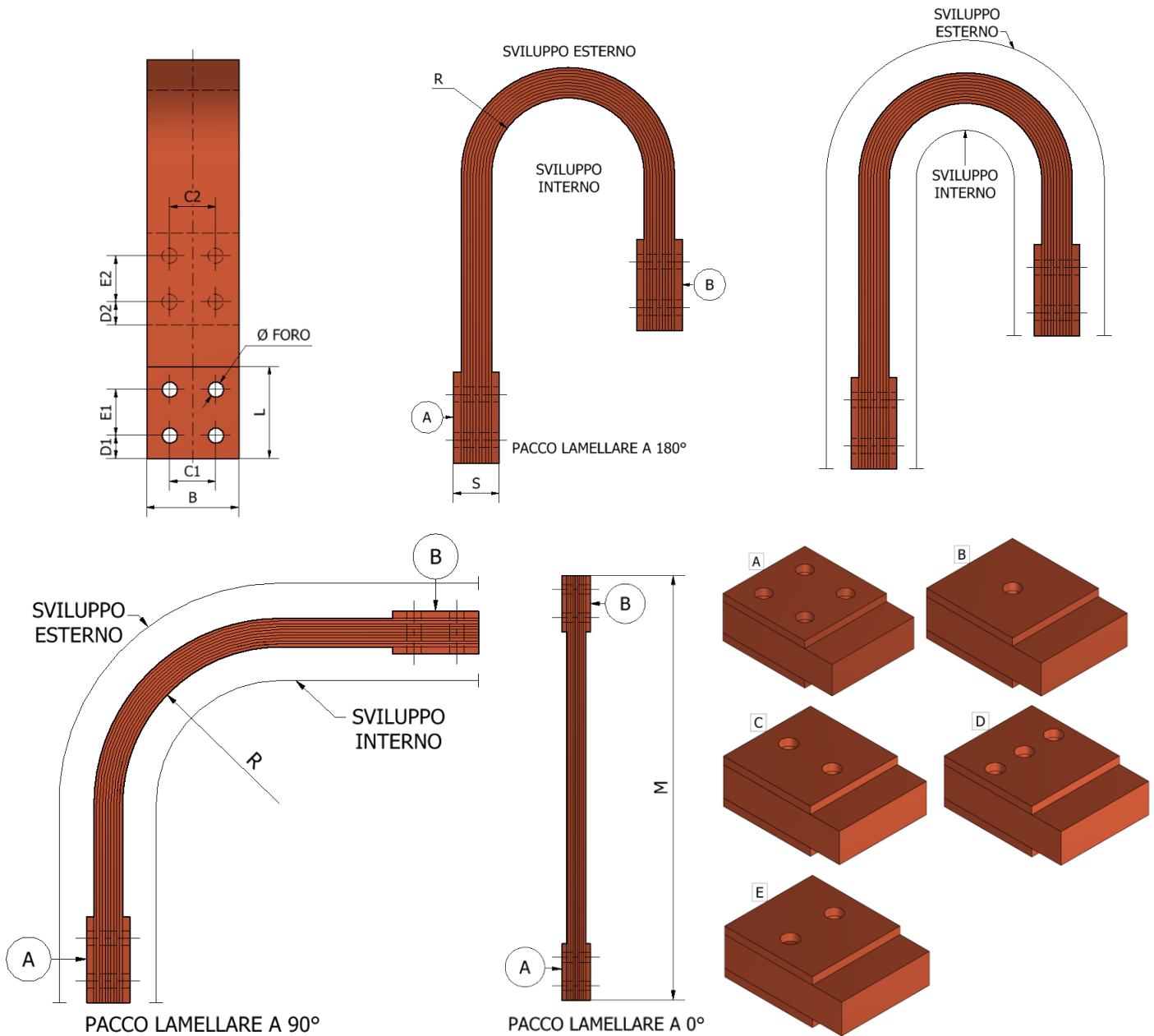




SECTION	S	ØB	ØKD	R
mm <sup>2</sup>	mm	mm	mm	mm
150	15	28	40	70
185	16	28	40	80
240	18	32	44	85
300	18	32	44	100
400	21	38	50	130
"L" LENGTH ACCORDING TO CUSTOMER REQUIREMENTS				

- All measurements are expressed in mm

ATS S.r.l is a qualified supplier of standard electrodes or electrodes according to customer specifications for resistance welding with certified alloys



A.T.S. s.r.l. Quality System Certified Company UNI EN ISO 9001:2015 Reg.3023/A

° FOLD	R	S	B	L	M	INTERNAL DEVELOPMENT (mm)	EXTERNAL DEVELOPMENT (mm)
180°					/		
90°					/		
0°	/					/	/

- PLEASE INDICATE THE MISSING DATA AT THE TIME OF YOUR REQUEST OR ORDER.

***Different sizes available on request***

*ATS S.r.l is a qualified supplier of standard electrodes or electrodes according to customer specifications for resistance welding with certified alloys*



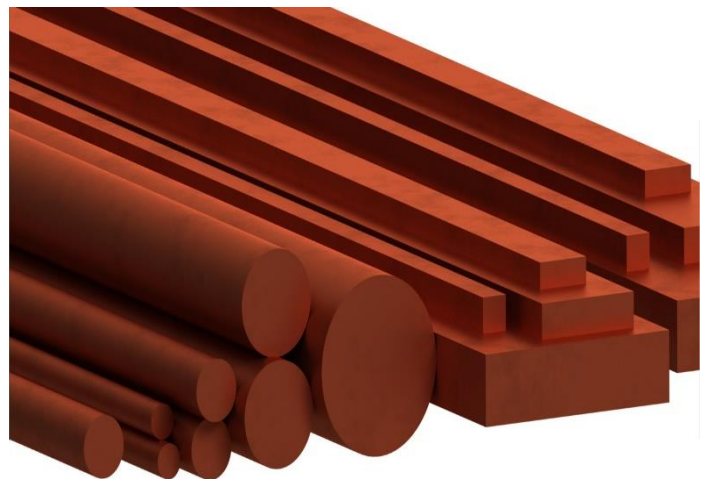
***Welding Cylinders***



***Pneumatic Electrode Revitaliser***



***Closed Circuit Chillers***



***Copper, Beryllium Copper, Copper Chromium Zirconium***

*ATS S.r.l is a qualified supplier of standard electrodes or electrodes according to customer specifications for resistance welding with certified alloys*



On 22/07/2002 the company obtained with great satisfaction and pride the UNI EN ISO 9001:2000 Quality Management System certification, adapting to the UNI EN ISO 9001:2008 standard from 01/07/2009 and subsequently to the new UNI EN ISO 9001:2015 standard from 03/04/2018.

The main focus is on the customer, on the ability to recognize their needs and expectations, in order to be in line with market expectations trying to achieve the set objectives through continuous improvement.

The company A.T.S. S.n.c. was founded in 1983 initially as a technical assistance in the field of spot welding, subsequently, thanks to the numerous requests of customers, the license for the marketing of welding systems and related spare parts was acquired.

Today A.T.S. S.r.l., with the help of valid collaborators who systematically attend training and refresher courses, is at the forefront in the supply of equipment and materials in the catalog so called standards. It is also specialized in the production of parts to customer specifications, and any other object on request related to the field of spot welding, pin welding and fixing.

All the equipment supplied is guaranteed by the assistance of specialized internal technical personnel who make use of certified instruments.



---

#### CONTACTS

---

**ADDRESS:**

A.T.S. s.r.l. 40023 Castel Guelfo (BOLOGNA) – Via del Mangano, 4/A

**TELEPHONE:**

+39 0542.67.04.27

**FAX:**

+39 0542.67.04.37

**EMAIL:**

info@atslamberti.com

**SITE:**

[http:// www.atslamberti.com](http://www.atslamberti.com)

**P.IVA:**

00824841209 **C.F.** 04169740372

