

06



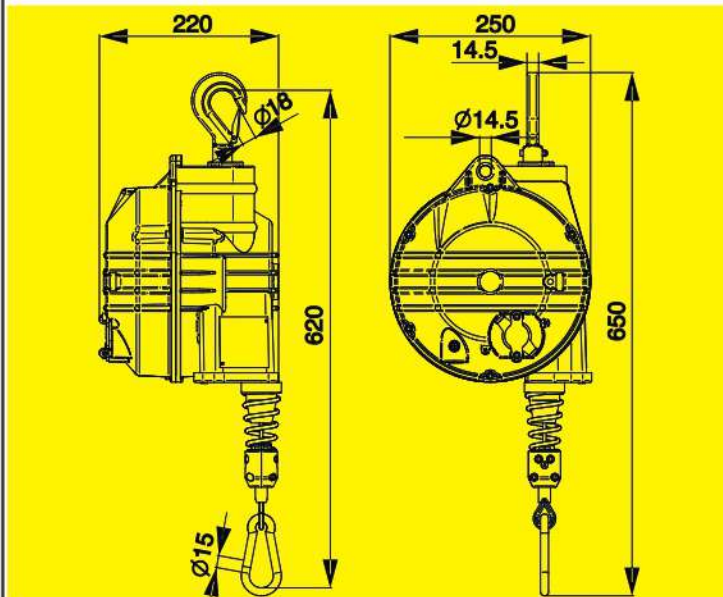
II 2G Ex h IIA T6 Gb
II 2D Ex h IIIC T85°C Db

| | | |
|--|-----------------|-----------------|
| | Aluminium | |
| | 2100 mm | 9502AX ÷ 9509AX |
| | 2700 mm | 9520AX ÷ 9525AX |
| | Stainless Steel | |
| | 12 ÷ 100 kg | |

***Option F**

The balancer is equipped with a friction/brake which controls the rotation speed of the drum.

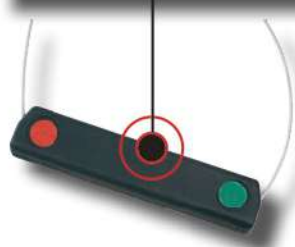
*This option is feasible when placing a new order while it is not possible to assemble this device on balancers already installed.



*Option F



Option BC



Option RC



Option RC (7270000004)
Conductive rotating hook group.

Option BC (7190000004)
Locking-unlocking device.

| Item | 9502AX | 9503AX | 9504AX | 9505AX | 9506AX | 9507AX | 9508AX | 9509AX | 9520AX | 9521AX | 9522AX | 9523AX | 9524AX | 9525AX |
|------|---------|---------|---------|---------|---------|---------|---------|----------|---------|---------|---------|---------|---------|---------|
| ** | 20 ÷ 30 | 30 ÷ 40 | 40 ÷ 50 | 50 ÷ 60 | 60 ÷ 70 | 70 ÷ 80 | 80 ÷ 90 | 90 ÷ 100 | 12 ÷ 20 | 20 ÷ 30 | 30 ÷ 40 | 40 ÷ 50 | 50 ÷ 60 | 60 ÷ 70 |
| | 12,60 | 15,20 | 15,50 | 16,70 | 15,50 | 17,70 | 16,20 | 16,80 | 12,80 | 12,60 | 15,80 | 15,40 | 16,60 | 15,70 |