

22

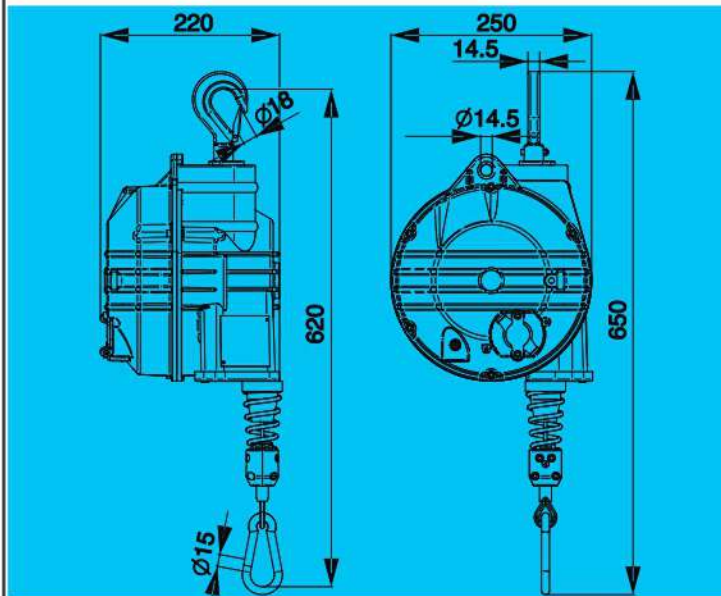


	Aluminium	
	2100 mm	9502÷9509
	2700 mm	9520÷9525
	Stainless Steel	
	12÷100 kg	

***Option F**

The balancer is equipped with a friction/brake which controls the rotation speed of the drum.

* This option is feasible when placing a new order while it is not possible to assemble this device on balancers already installed.



*Option F



Option B
(719000007)



Option RI (70477)
Rotary and insulating device.

Option B (719000007)
Locking-unlocking device with control from the floor.

Item	9502	9503	9504	9505	9506	9507	9508	9509	9520	9521	9522	9523	9524	9525
**	20÷30	30÷40	40÷50	50÷60	60÷70	70÷80	80÷90	90÷100	12÷20	20÷30	30÷40	40÷50	50÷60	60÷70
	12,60	15,20	15,50	16,70	15,50	17,70	16,20	16,80	12,80	12,60	15,80	15,40	16,60	15,70