

31



	Aluminium	
	2500 mm	9422÷9426
	3000 mm	9451÷9456
	Stainless Steel	
	100÷180 kg	

Option RI (70477)

Rotary and insulating device.

***Option B**

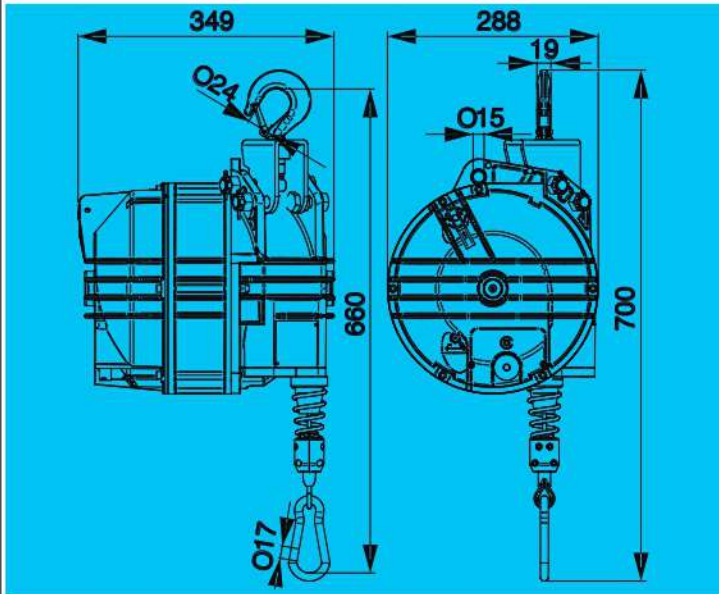
Locking-unlocking device with control from the floor.

*This option is feasible when placing a new order.

***Option B1**

Reinforced Locking-unlocking device with control from the floor.

*This option is feasible when placing a new order.



Item	9422	9423	9424	9425	9426
**	100÷120	120÷140	130÷150	140÷160	160÷180
	36,61	38,51	38,83	40,90	43,20

9451	9452	9453	9454	9455	9456
100÷115	115÷130	130÷140	140÷150	150÷160	160÷180
36,61	36,77	38,51	38,83	40,90	43,20