

29



	Aluminium	
	2500 mm	9411÷9414
	3000 mm	9434÷9444
	Stainless Steel	
	35÷100 kg	

Option RI (70477)

Rotary and insulating device.

***Option B**

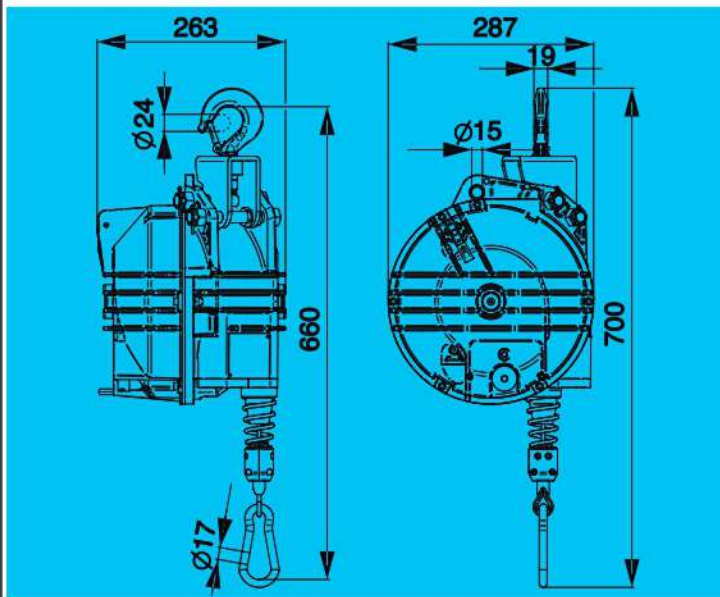
Locking-unlocking device with control from the floor.

*This option is feasible when placing a new order.

***Option B1**

Reinforced Locking-unlocking device with control from the floor.

*This option is feasible when placing a new order.



Item	9411	9412	9413	9414
	60÷70	70÷80	80÷90	90÷100
	25,56	26,75	27,90	28,46

9434	9435	9436	9441	9442	9443	9444
35÷45	40÷50	50÷60	60÷70	70÷80	80÷90	80÷100
24,46	23,64	24,69	25,56	26,75	27,90	28,46