

27



	Aluminium	
	2500 mm	9401÷9405
	3000 mm	9431÷9433
	Stainless Steel	
15÷60 kg		

**Option RI (70477)**

Rotary and insulating device.

**\*Option B**

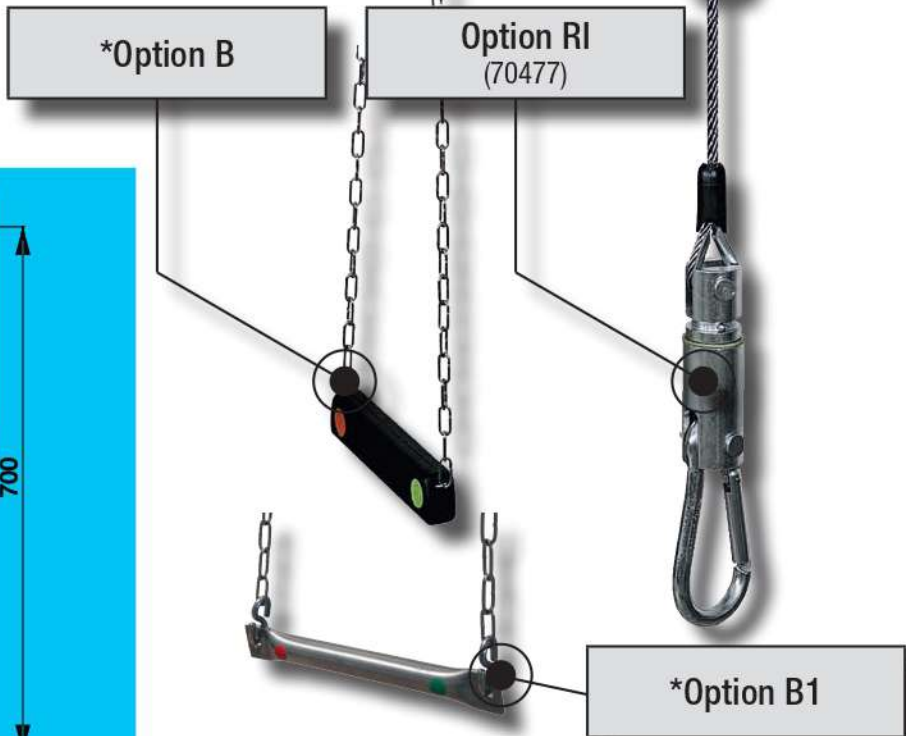
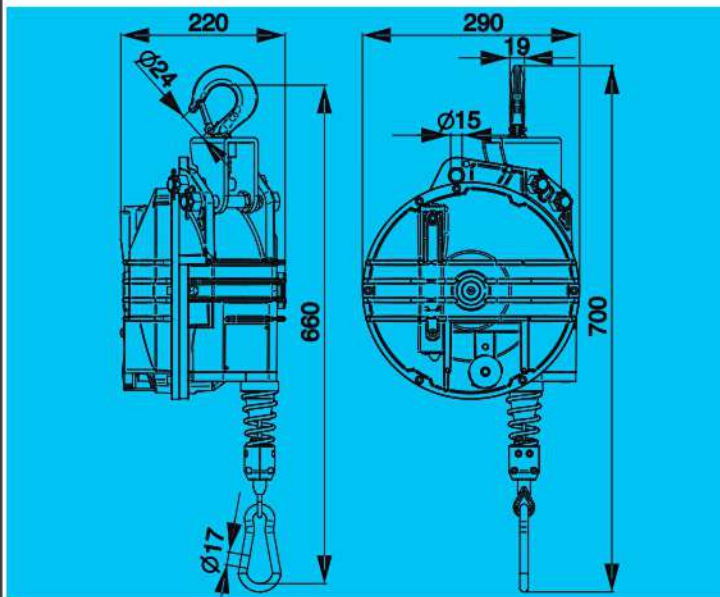
Locking-unlocking device with control from the floor.

\*This option is feasible when placing a new order.

**\*Option B1**

Reinforced Locking-unlocking device with control from the floor.

\*This option is feasible when placing a new order.



Item	9401	9402	9403	9404	9405
	15÷20	20÷30	30÷40	40÷50	50÷60
	19,67	21,11	21,11	22,03	23,07

9431	9432	9433
15÷20	20÷25	25÷35
19,67	19,67	21,11