

9354÷9359

9354G÷9359G

*Option F



	Aluminium
	2000 mm
	Stainless Steel
	4÷25 kg

Option RI (70477)

Rotary and insulating device.

*Option F

The balancer is equipped with a friction/brake which controls the rotation speed of the drum.

* This option is feasible when placing a new order while it is not possible to assemble this device on balancers already installed.

*Option F



	Aluminium/Rubber
	2000 mm
	Stainless Steel
	4÷25 kg

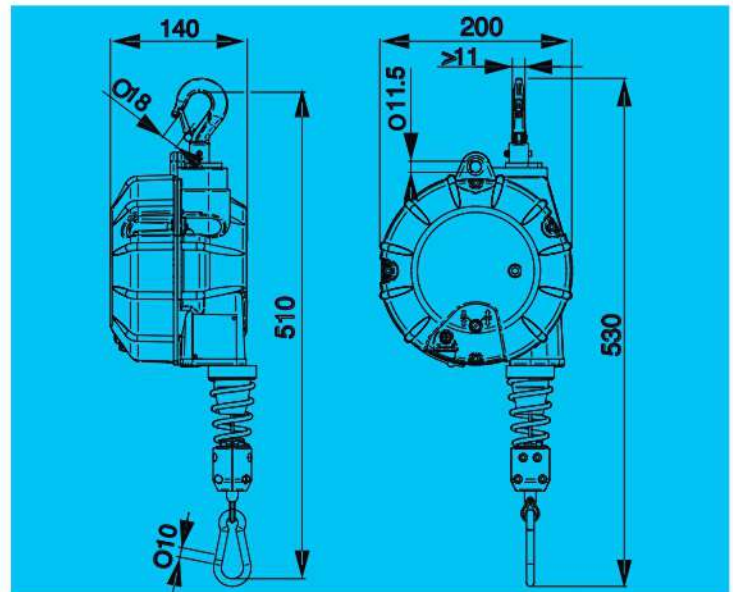
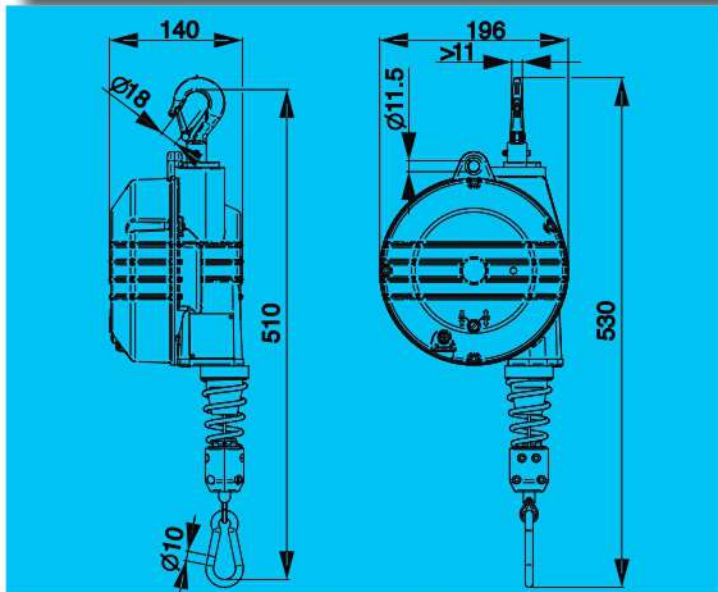
Option RI (70477)

Rotary and insulating device.

*Option F

The balancer is equipped with a friction/brake which controls the rotation speed of the drum.

* This option is feasible when placing a new order while it is not possible to assemble this device on balancers already installed.



Item	9354	9355	9356	9357	9358	9359
	4÷7	7÷10	10÷14	14÷18	18÷22	22÷25
	4,94	5,30	5,67	6,26	5,89	6,53

Item	9354G	9355G	9356G	9357G	9358G	9359G
	4÷7	7÷10	10÷14	14÷18	18÷22	22÷25
	5,58	5,93	6,31	6,90	6,53	7,17